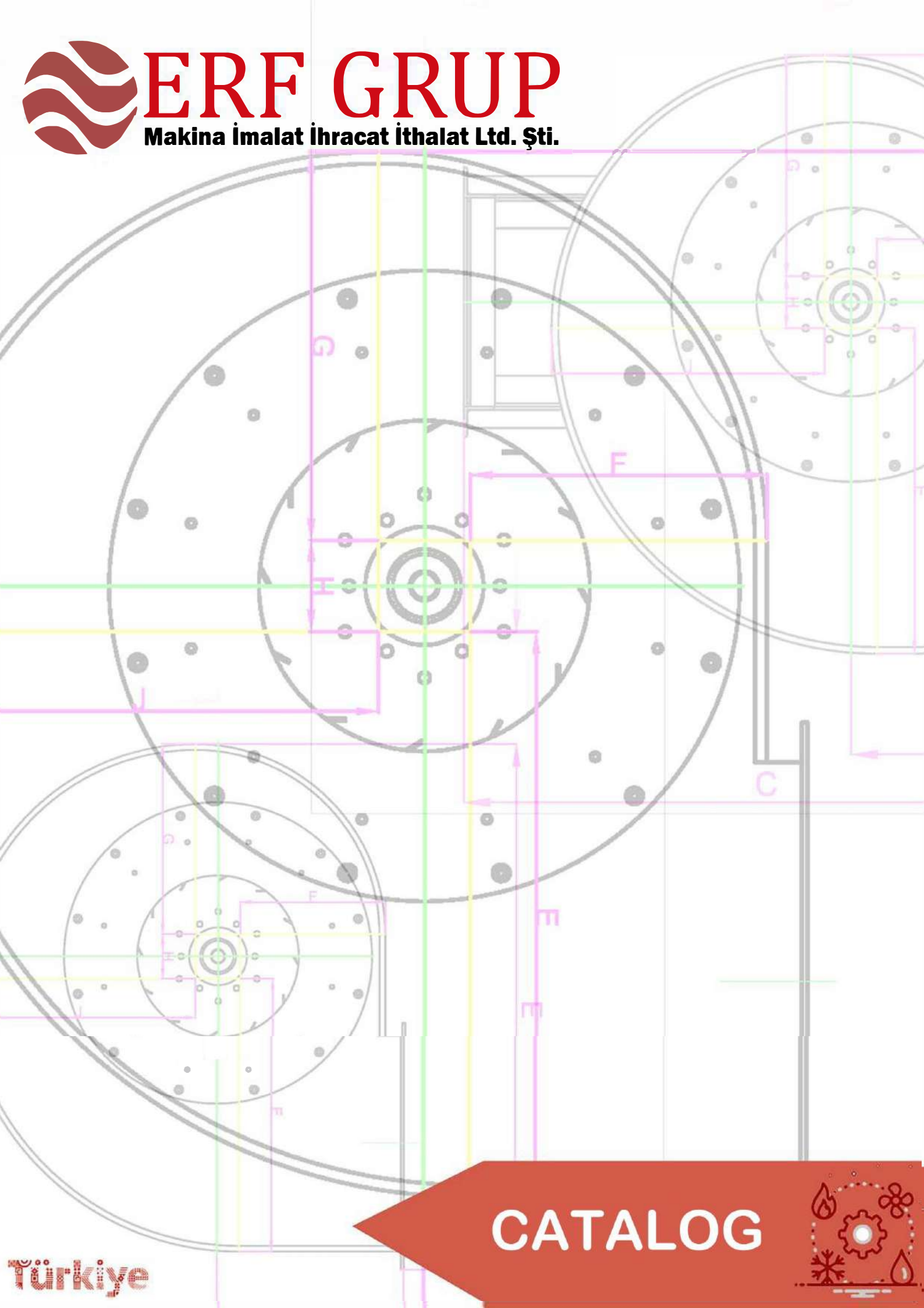




# ERF GRUP

Makina İmalat İhracat İthalat Ltd. Şti.



CATALOG



Türkiye



## **TABLE OF CONTENTS**

***Aluminium Casting Fans 3 - 10***

***Radial Fans 11 - 37***

***Cell Aspirators 38 - 53***

***Heat Recovery Devices 54 - 58***

***Duct Type Fans 59 - 70***

***Axial Fans 71 - 96***

***Jet Fans 97 - 100***

***Roof Type Fans 101 - 114***

***Equipments 115 - 117***

***Air Handling Units 118 - 125***

***Product Pictures 126 - 128***



# ALUMINUM CASTING FANS



# Centrifugal Fan with Aluminum Casting Body

## ERF SERIES



### Single suction, Aluminum Body, Centrifugal Fan

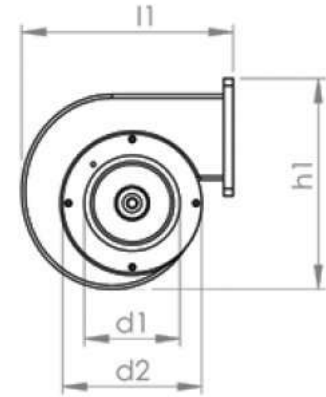
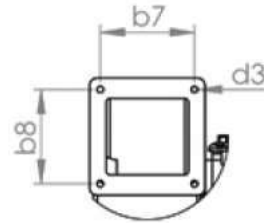
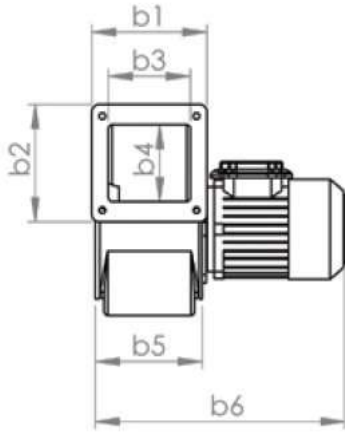
ERF Series fans are single suction, forward inclined radial fan type. The body is made of aluminum and the fan impeller is made of high quality galvanized steel resistant to corrosion. They are manufactured in an aerodynamic structure that will provide regular flow. It works silently thanks to its aerodynamic wing structure.

PRODUCT CODE	FAN DIA.	SHAFT DIA. mm	KW	HP	VOLTAGE	MOTOR SPEED RPM	MAX. AIR FLOW m³/h	PRESSURE mmSS	SOUND LEVEL dB	KG
ERF-1	140-70	11	0,25	1/3	380/220	2900	650	26	50	8
ERF-2	160-90	14	0,37	1/2	380/220	2900	1600	35	55	9
ERF-3	180-90	14	0,55	3/4	380/220	2900	2000	50	60	12
ERF-4	225-90	19	0,75	1,00	380/220	2900	2400	60	65	17
ERF-4	225- 102	19	1,1	1,50	380/220	2900	2900	60	68	18
ERF-5	250-112	24	1,5	2,00	380/220	2900	3400	70	70	24
ERF-5	250-118	24	2,2	3,00	380/220	2900	3900	90	71	26
ERF-6	268-112	24	2,2	3,00	380/220	2900	4500	120	71	27
ERF-6	268- 118	28	3,00	4,00	380/220	2900	5000	150	72	31
ERF-7	380-112	28	4,00	5,50	380	2900	6000	170	73	45
ERF-7	380-122	38	5,5	7,50	380	2900	7000	210	74	57
ERF-8	315-112	38	5,5	7,50	380	2900	8000	230	74	59
ERF-8	315-122	38	7,5	10,00	380	2900	10000	260	75	69





## Centrifugal Fan with Aluminum Casting Body



### Dimensions

Code	Dimensions (mm)												
	b1	b2	b3	b4	b5	b6	b7	b8	l1	h1	dr	d2	d3
ERF-1	163	125	88	64	127	310	110.5	99.5	230	240	111.5	173	7
ERF-2	155	163	114	108.5	148	360	130	129	280	280	155	195	9
ERF-3	160	165	117	108.5	157	360	130	130	300	300	150	210	9
ERF-4	187.5	163	127	100	168	390	155	126	380	380	190	268	9
ERF-5	200	205	155	155	185	435	165	165	435	435	205	285	9
ERF-6	200	205	155	155	195	465	165	165	440	440	215	300	9
ERF-7	240	250	170	170	200	555	200	205	510	510	250	350	10
ERF-8	240	250	170	170	200	555	200	205	510	510	240	350	10



# Centrifugal Fan with Aluminum Casting Body

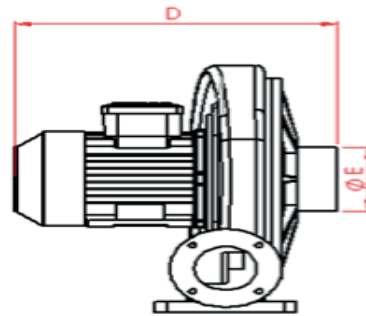
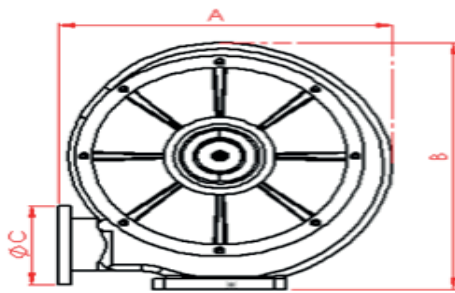
## ERFK SERIES

### High Pressure Blowers



ERF Series fans are single suction, forward inclined radial fan type. The body is made of aluminum and the fan impeller is made of high quality galvanized steel resistant to corrosion. They are manufactured in an aerodynamic structure that will provide regular flow. It works silently thanks to its aerodynamic wing structure. ERFK fans are special made for high pressure needs.

PRODUCT CODE	FAN DIA. mm	KW	HP	VOLTAGE	MOTOR SPEED RPM	MAX. AIR FLOW m <sup>3</sup> /h	PRESSURE mmSS	KG
ERF-K-1	256	0,37	1/2	380/220	2900	1200	200	13
ERF-K-2	290	0,75	1,00	380/220	2900	2000	240	21
ERF-K-3	350	1,10	1,50	380/220	2900	3000	300	30
ERF-K-3	327	1,50	2,00	380/220	2900	3000	300	30
ERF-K-4	393	2,20	3,00	380/220	2900	3500	350	44
ERF-K-4	393	3,00	4,00	380/220	2900	4000	350	48
ERF-K-5	494	4,00	5,50	380	2900	4500	400	95
ERF-K-5	494	5,50	7,50	380	2900	4750	450	95
ERF-MK-1	225-50	0,55	3/4	380/220	2900	4000	45	13



Code	KW	RPM	A	B	C	D	E
ERF-K-1-	0,37	3000	345	365	Ø115	330	Ø95
ERF-K-2-	0,75	3000	450	430	Ø130	365	Ø124
ERF-K-3-	1,1	3000	500	575	Ø105	380	Ø110
ERF-K-3-	1,5	3000	550	595	Ø178	450	Ø149
ERF-K-4-	2,2	3000	565	610	Ø184	495	Ø154
ERF-K-4-	3	3000	565	610	Ø184	495	Ø154
ERF-K-5-	4	3000	820	830	Ø204	650	Ø169
ERF-K-5-	5,5	3000	820	830	Ø204	650	Ø169

# Centrifugal Fan with Aluminum Casting Body

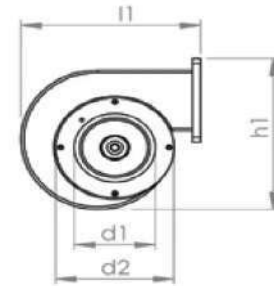
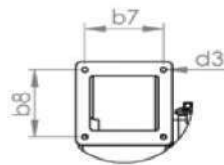
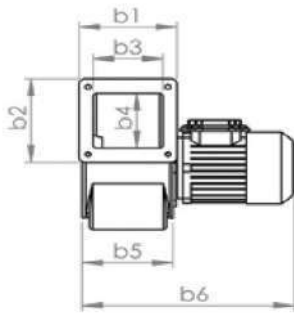
## ERF-RS

### Resistance Machine Fans



Resistance machine fans with aluminum body can be used in many areas. It is used in many places such as engine cooling, injection and resistance machines, boilers, etc. They can be produced as double or single upon request. Mini sizes can be produced.

PRODUCT CODE	FAN DIA.	SHAFT DIA. mm	KW	HP	VOLTAGE	MOTOR SPEED RPM	MAX. AIR FLOW m <sup>3</sup> /h	PRESSURE mmSS	KG
ERF-MINI	100-40	11	0,25	1/4	380/220	2900	320	20	7
ERF-2 TY	160-70	14	0,37	1/2	380/220	2900	1300	30	9
ERF-2 YB	160-90	14	0,37	1/2	380/220	2900	1900	40	11
ERF-2 RS	160-70	14	0,25	1/3	380/220	2900	1600	30	8
ERF-3 RS	180-70	14	0,55	3/4	380/220	2900	2000	40	10



Type	b1	b2	b3	b4	b5	b6	b7	b8	l1	h1	d1	d2	d3
ERF Mini	107	107	70	70	87	270	88	88	175	175	100	123	7,50
ERF 2 TY	140	133	93	90	117	320	115	105	265	265	145	171	7,5
ERF 2 YB	145	154	103	108	141	345	122	128	290	290	150	196	9
ERF 2 RS	120	130	82	90	115	300	95	107	275	275	150	196	7,5
ERF 3 RS	124	143	89	101	125	320	106	118	290	290	175	217	7,5

# Centrifugal Fan with Aluminum Casting Body

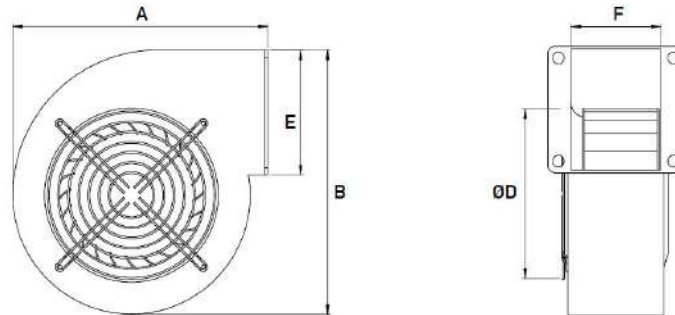
## BDRAS

### Centrifugal Fans



Centrifugal fans have low noise level, high pressure characteristics. Thanks to their compact structure, they save space. The body is made of die-cast aluminum and is resistant to corrosion and corrosion. The motor and fan impeller are connected to the main body with steel carriers. The device has the feature of carrying air at a maximum temperature of 40°C.

PRODUCT CODE	MOTOR DETAILS			MAX. AIR FLOW	SOUND LEVEL	WEIGHT
	VOLTAGE	POWER	MOTOR SPEED			
	V	W	RPM	M <sup>3</sup> /H	DB	KG
BDRAS-85x40-M2	220	30	2500	90	40	1,2
BDRAS-108x50-M2	220	40	1900	155	42	1,7
BDRAS-120x60-M2	220	85	2400	290	45	2,8
BDRAS-140x60-M2	220	138	2300	485	47	3,4
BDRAS-180x60-M2	220	200	2250	600	50	4,3



Type	Dimensions (mm)				
	A	B	D	E	F
BDRAS-120x60-M-2K	173	183	98	68	81
BDRAS-140x60-M-2K	206	216	112	92	83
BDRAS-160x60-M-2K	270	260	130	93	84



# Radial Fan Impellers



## ERFP

### Dense-Bladed Radial Impellers

\* Since it is highly efficient, it is used in burners, aspirators, circulation fans and is produced in more than 50 different sizes. It is made in special productions to meet the needs of various sectors.

\* Rust-proof aluminum injection die-cast hubs and special hubs are used

\* Made of 1-2 mm galvanized sheet, mirror circle, air blades

\* After the rotor (fan) production, the dynamic and static balance is taken and the vibration and sound are minimized.

PRODUCT CODE	FAN DIA.	IMPELLER SIZE	BLADE NUMBER	SHAFT DIA.
	MM	MM	N	Ø D
ERFP-100	100	40-50-60-70	23	11
ERFP-120	120	40-50-60-70	23	11
ERFP-132	132	40-50-60-70	32	11-14
ERFP-140	140	40-50-60-70-80	32	11-14
ERFP-146	146	40-50-60-70-80	35	11-14
ERFP-160	160	40-50-60-70-80-90-102	36	14-19
ERFP-180	180	40-50-60-70-80-90-102	40	14-19
ERFP-200	200	40-50-60-70-80-90-102	40	19
ERFP-215	215	40-50-60-70-80-90-102	40	19
ERFP-225	225	35-50-60-70-80-90-102	42	19-24
ERFP-250	250	35-70-90-102-112-118	38	24-28
ERFP-268	268	35-70-90-102-112-118	38	24-28
ERFP-280	280	112-116-122	38	24-28
ERFP-300	300	90-102-112-116-118-122	38	24-28
ERFP-315	315	112-116-122	38	24-28
ERFP-330	330	112-116-122	32-42	24
ERFP-350	350	112-116-122	38	28
ERFP-355	355	112-116-122	42	28
ERFP-360	360	96-112-116-120-122	42	28-38
ERFP-400	400	112-116-122	38	28-38
ERFP-420	420	112-116-122	38	28-38
ERFP-450	450	112-116-122	38	28-38
ERFP-500	500	112-116-122	38	28-38

**CONTACT OUR FIRM FOR SPECIAL SIZE MANUFACTURING**



## Centrifugal Fan with Aluminum Casting Body



### ESF

#### Circulation Fans

- \* It is manufactured from 5 types of chassis body and high efficiency is provided by using radial fans with dense blades.
- \* It can be used in Bread ovens
- \* It can be used in static paint ovens
- \* It is used in industrial facilities where heat transfers will be made.

PRODUCT CODE	FAN DIA.	MOTOR DETAILS			MAX. AIR FLOW	MAX. PRESSURE LOSS
		VOLTAGE	POWER	MOTOR SPEED		
		V	KW	RPM		
ESF-300	250-112	380-220	0,75	1400	3.000	550
ESF-300	250-118	380-220	0,75	1400	3.500	550
ESF-415	330-112	380-220	1,50	1400	4.500	700
ESF-415	330-122	380-220	1,50	1400	5.000	700
ESF-430	360-112	380-220	2,20	1400	6.800	800
ESF-430	360-122	380-220	3,00	1400	7.000	800
ESF-435	360-112	380-220	2,20	1400	6.800	800
ESF-435	360-122	380-220	3,00	1400	7.000	800
ESF-460	400-112	380-220	2,20	1400	7.400	900
ESF-460	400-122	380-220	3,00	1400	7.600	900
ESF-490	420-112	380-220	3,00	1400	8.000	1000
ESF-490	420-122	380-220	3,00	1400	8.200	1000
ESF-625	500-112	380-220	3,00	1400	8.600	1000
ESF-625	500-122	380-220	3,00	1400	8.800	1000
ESF-625	MATADOR	380-220	3,00	1400	8.800	800



**RADIAL FANS**

# Radial Fans



## SFAB

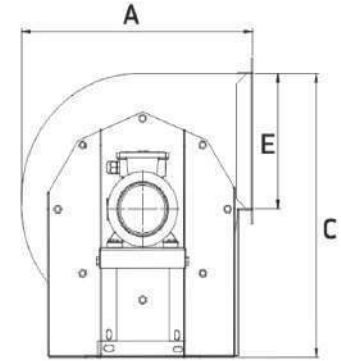
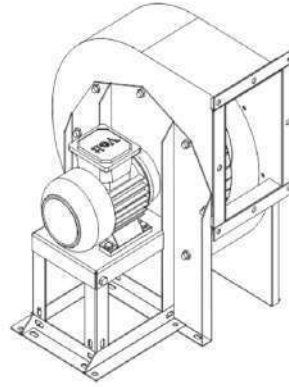
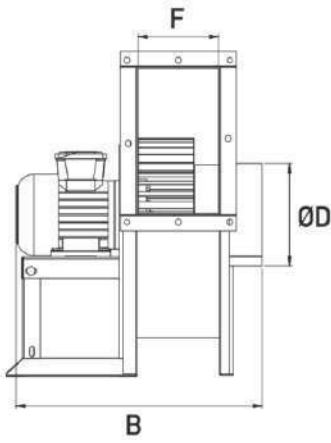
### FORWARD CURVED DIRECTLY COUPLED, SINGLE SUCTION, RADIAL FAN

SFAB designed for low pressure systems can be used in all kinds of facility ventilation. It is one of the most economical ventilation solutions.

PRODUCT CODE	FAN DIA.	MOTOR DETAILS				MAX. AIR FLOW	MAX PRESSURE LOSS.
		VOLTAGE	POWER		MOTOR SPEED		
			MM	V			
SFAB-T4-0,37	250	380	0,37	0,50	1.380	2.000	400
SFAB-T4-0,75	280	380	0,75	1,00	1.410	3.500	500
SFAB-T4-1,10	310	380	1,10	1,50	1.430	4.500	600
SFAB-T4-1,50	340	380	1,50	2,00	1.430	5.500	700
SFAB-T4-2,20	360	380	2,20	3,00	1.435	7.000	800
SFAB-T4-3,00	380	380	3,00	4,00	1.435	8.000	900
SFAB-T4-4,00	400	380	4,00	5,50	1.455	9.000	1000
SFAB-T4-5,50	450	380	5,50	7,50	1.465	12.000	1100
SFAB-T4-7,50	500	380	7,50	10,00	1.465	14.000	1200



## Dimensions



Type	Dimensions (mm)					
	A	B	C	D	E	F
SFAB-T4-0,37	386	496	490	Ø 200	205	160
SFAB-T4-0,75	487	561	615	Ø 220	265	190
SFAB-T4-1,10	526	565	655	Ø 240	275	200
SFAB-T4-1,50	568	637	740	Ø 260	295	220
SFAB-T4-2,20	595	672	760	Ø 280	325	230
SFAB-T4-3,00	655	717	815	Ø 300	325	240
SFAB-T4-4,00	678	708	850	Ø 320	385	260
SFAB-T4-5,50	794	758	976	Ø 360	445	282
SFAB-T4-7,50	890	897	1.081	Ø 360	500	350

# Radial Fans

## SROB

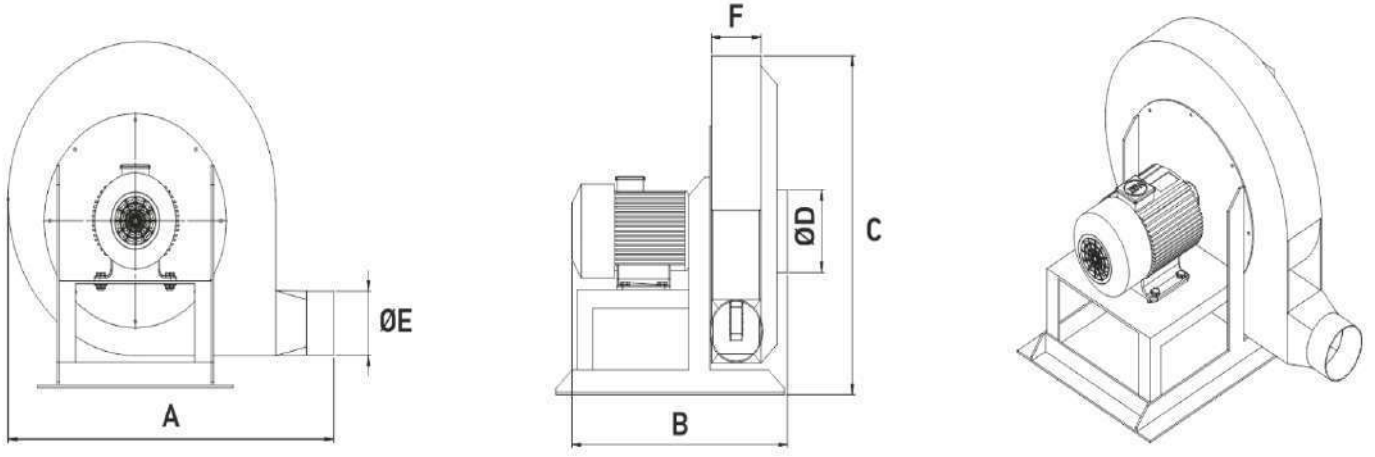


### DIRECT COUPLED, MEDIUM PRESSURE SINGLE SUCTION, RADIAL FAN

SROB, works with high performance in medium and high pressure ventilation systems. They can also serve as material handling fans. In addition to the standard closed propeller, they can also be produced with open blade propellers. Thanks to its screw-mounted structure, the direction of the shot mouth can be easily turned to the desired direction.

PRODUCT CODE	FAN. DIA	MOTOR DETAILS				MAX. AIR FLOW	MAX. PRESSURE LOSS	WEIGHT
		VOLTAGE	POWER		MOTOR SPEED			
			KW	HP				
MM	V	KW	HP	RPM	M <sup>3</sup> /H	PA	KG	
SROB-T2-0,37	260	380	0,37	0,50	2.850	1.000	900	22,5
SROB-T2-0,75	350	380	0,75	1,00	2.860	1.100	1400	31,7
SROB-T2-1,10	380	380	1,10	1,50	2.900	1.400	2000	34,1
SROB-T2-1,50	410	380	1,50	2,00	2.900	1.600	2400	41,2
SROB-T2-2,20	420	380	2,20	3,00	2.900	2.100	3000	44,4
SROB-T2-3,00	450	380	3,00	4,00	2.900	2.300	3500	55,5
SROB-T2-4,00	450	380	4,00	5,50	2.910	2.600	4000	63,8
SROB-T2-5,50	500	380	5,50	7,50	2.930	3.200	5000	84,5
SROB-T2-7,50	500	380	7,50	10,00	2.910	4.200	6000	97,9

## Dimensions



Type	Dimensions (mm)				
	A	B	C	D	F
SROB-T2-0,37	435	365	425	Ø 100	Ø 100
SROB-T2-0,75	640	483	605	Ø 100	Ø 100
SROB-T2-1,10	690	503	635	Ø 120	Ø 124
SROB-T2-1,50	720	548	663	Ø 130	Ø 124
SROB-T2-2,20	670	440	700	Ø 130	Ø 120
SROB-T2-3,00	820	606	753	Ø 140	Ø 154
SROB-T2-4,00	750	580	770	Ø 150	Ø 150
SROB-T2-5,50	900	665	864	Ø 190	Ø 154
SROB-T2-7,50	935	711	894	Ø 200	Ø 154

# Radial Fans



## SRYB

### DIRECT COUPLED, HIGH PRESSURE SINGLE SUCTION, RADIAL FAN

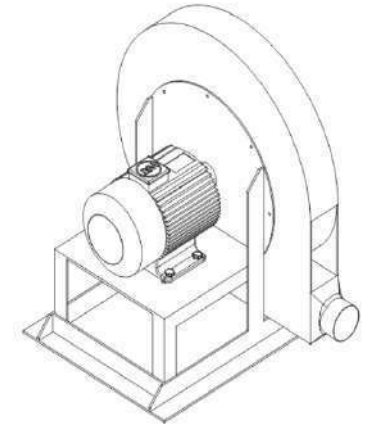
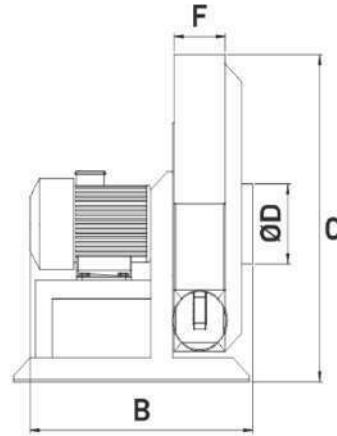
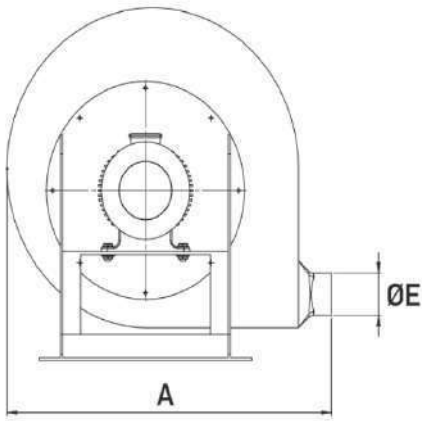
SRYB, also called blowers can overcome high pressure losses despite low air flow rates. Thanks to its screw-mounted structure, the direction of the shot mouth can be easily turned to the desired direction.

PRODUCT CODE	FAN DIA.	MOTOR DETAILS				MAX. AIR FLOW	MAX. PRESSURE LOSS	WEIGHT
		VOLTAGE	POWER		MOTOR SPEED			
			MM	V				
SRYB-T2-0,37	350	380	0,37	0,50	2.850	350	2500	20,3
SRYB-T2-0,75	400	380	0,75	1,00	2.860	450	3000	27,2
SRYB-T2-1,10	440	380	1,10	1,50	2.900	550	4000	40,8
SRYB-T2-1,50	470	380	1,50	2,00	2.900	600	5000	46,5
SRYB-T2-2,20	500	380	2,20	3,00	2.900	700	6000	57,0
SRYB-T2-3,00	520	380	3,00	4,00	2.900	1.000	7200	61,0
SRYB-T2-4,00	570	380	4,00	5,50	2.910	1.250	8000	68,0
SRYB-T2-5,50	590	380	5,50	7,50	2.930	1.500	9000	107,0
SRYB-T2-7,50	620	380	7,50	10,00	2.910	1.700	10000	135,0





## Dimensions



Type	Dimensions (mm)				
	A	B	C	D	F
SRYB-T2-0,37	520	320	510	Ø 100	Ø 65
SRYB-T2-0,75	575	355	550	Ø 120	Ø 65
SRYB-T2-1,10	645	365	630	Ø 120	Ø 70
SRYB-T2-1,50	660	350	650	Ø 125	Ø 80
SRYB-T2-2,20	680	390	690	Ø 130	Ø 80
SRYB-T2-3,00	760	450	730	Ø 140	Ø 80
SRYB-T2-4,00	855	500	845	Ø 170	Ø 100
SRYB-T2-5,50	870	565	880	Ø 170	Ø 100
SRYB-T2-7,50	855	560	880	Ø 180	Ø 100

# Radial Fans



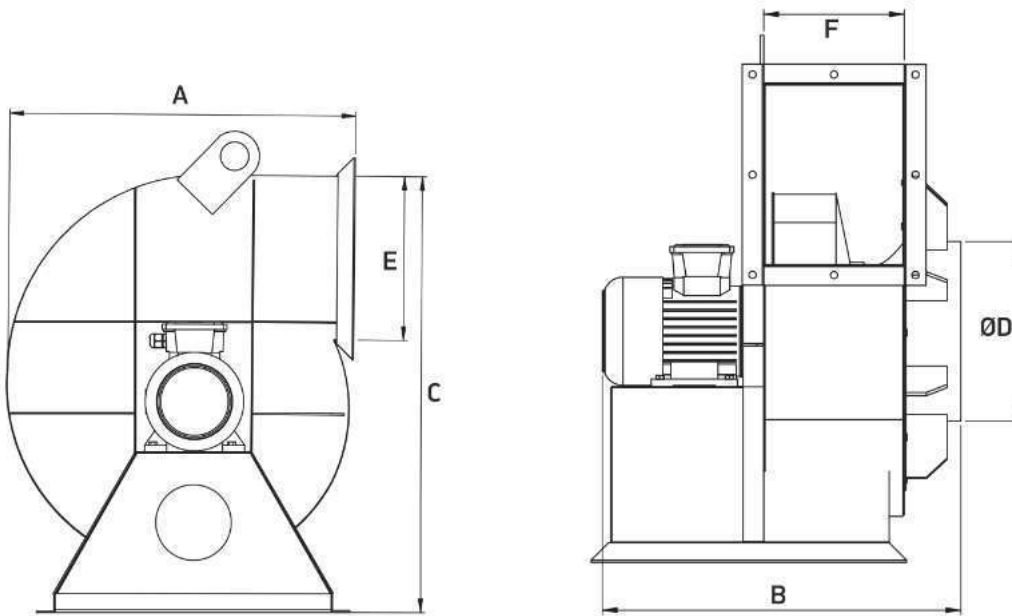
## SBAO

### DIRECTLY COUPLED, SINGLE SUCTION, RADIAL FANS WITH BACKWARDS CURVE AND SPARSE BLADES

SBAO fans, designed for medium and high pressure systems, can be used in all kinds of facility ventilation. Especially suitable for dust collection systems. Due to the sparse blade structure, propeller cleaning is easy. They overcome strong pressure losses thanks to their high speed.

PRODUCT CODE	FAN DIA.	MOTOR DETAILS				MAX. AIR FLOW	MAX. PRESSURE LOSS	WEIGHT
		VOLTAGE	POWER		MOTOR SPEED			
			V	KW				
MM	V	KW	HP	RPM	M <sup>3</sup> /H	PA	KG	
SBAO-T4-0,37	340	380	0,37	0,50	1.380	2.000	400	45
SBAO-T4-0,75	400	380	0,75	1,00	1.410	3.800	500	55
SBAO-T4-1,10	430	380	1,10	1,50	1.430	4.900	600	65
SBAO-T4-1,50	450	380	1,50	2,00	1.430	6.800	650	75
SBAO-T4-2,20	500	380	2,20	3,00	1.435	9.000	700	90
SBAO-T4-3,00	560	380	3,00	4,00	1.435	12.000	1000	115
SBAO-T4-4,00	600	380	4,00	5,50	1.455	14.000	1100	155
SBAO-T4-5,50	630	380	5,50	7,50	1.465	16.000	1200	191
SBAO-T4-7,50	710	380	7,50	10,00	1.465	21.000	1500	230
SBAO-T4-11,0	780	380	11,00	15,00	1.470	25.000	1600	285
SBAO-T4-15,0	830	380	15,00	20,00	1.470	30.000	1800	350
SBAO-T4-18,5	890	380	18,50	25,00	1.475	35.000	2000	401

## Dimensions



Type	Dimensions (mm)					
	A	B	C	D	E	F
SBAO-T4-0,37	500	500	610	Ø 200	200	180
SBAO-T4-0,75	565	540	730	Ø 300	260	200
SBAO-T4-1,10	655	590	805	Ø 350	270	230
SBAO-T4-1,50	690	635	855	Ø 350	300	250
SBAO-T4-2,20	785	715	990	Ø 400	400	300
SBAO-T4-3,00	875	765	1.030	Ø 450	450	350
SBAO-T4-4,00	920	835	1.080	Ø 500	500	400
SBAO-T4-5,50	975	925	1.210	Ø 600	600	450
SBAO-T4-7,50	1.035	965	1.220	Ø 600	600	500
SBAO-T4-11,0	1.080	1.070	1.380	Ø 700	700	550
SBAO-T4-15,0	1.200	1.120	1.485	Ø 750	800	600
SBAO-T4-18,5	1.260	1.255	1.535	Ø 800	800	600

# Radial Fans



## SBOY

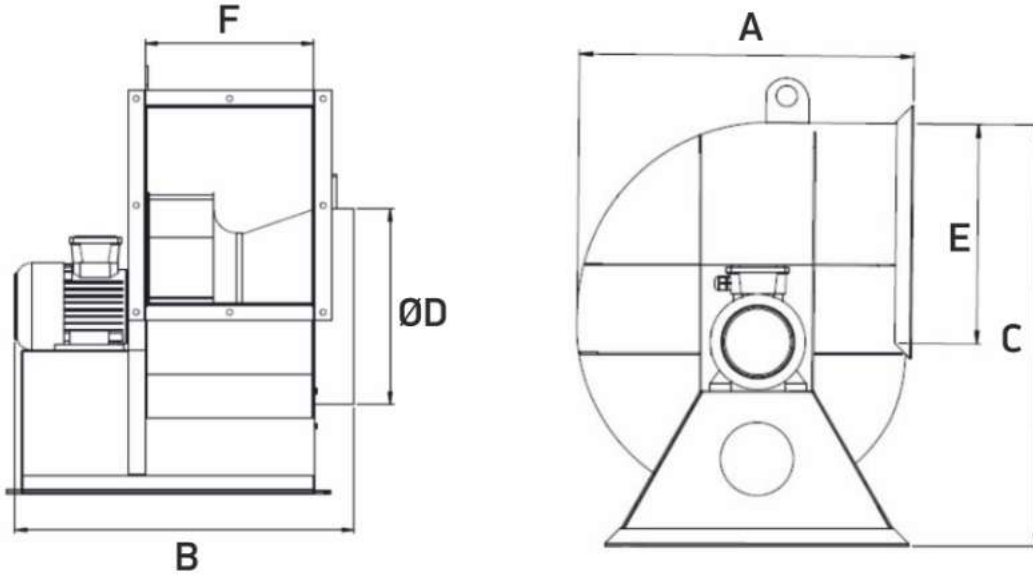
### DIRECTLY COUPLED, SINGLE SUCTION, RADIAL FANS WITH BACKWARDS CURVE AND SPARSE BLADES

SBOY, designed for low and medium pressure systems, can be used in all kinds of facility ventilation. Due to the sparse blade structure, Impeller cleaning is easy.

PRODUCT CODE	FAN DIA.	MOTOR DETAILS				MAX. AIR FLOW	MAX. PRESSURE LOSS
		VOLTAGE	POWER		MOTOR SPEED		
	MM	V	KW	HP	RPM	M <sup>3</sup> /H	PA
SBOY-T2-0,37	280	380	0,37	0,50	2.850	2.000	600
SBOY-T2-0,75	320	380	0,75	1,00	2.860	3.000	1000
SBOY-T2-1,10	320	380	1,10	1,50	2.900	4.000	1250
SBOY-T2-1,50	400	380	1,50	2,00	2.900	4.500	1500
SBOY-T2-2,20	420	380	2,20	3,00	2.900	5.500	1700
SBOY-T2-3,00	450	380	3,00	4,00	2.900	6.500	1800
SBOY-T2-4,00	450	380	4,00	5,50	2.910	7.500	1900
SBOY-T2-5,50	500	380	5,50	7,50	2.930	8.500	2000
SBOY-T2-7,50	500	380	7,50	10,00	2.910	10.000	2100
SBOY-T2-11,0	530	380	11,00	15,00	2.945	12.000	2200
SBOY-T2-15,0	530	380	15,00	20,00	2.945	14.000	2250
SBOY-T2-18,5	560	380	18,50	25,00	2.950	16.000	2250



## Dimensions



Type	Dimensions (mm)					
	A	B	C	D	E	F
SBOY-T2-0,37				Ø 150	200	150
SBOY-T2-0,75	555	500	660	Ø 200	200	200
SBOY-T2-1,10	555	560	660	Ø 200	250	200
SBOY-T2-1,50	595	585	675	Ø 250	250	200
SBOY-T2-2,20	630	615	730	Ø 250	250	200
SBOY-T2-3,00	665	665	790	Ø 250	300	250
SBOY-T2-4,00	695	685	835	Ø 300	300	250
SBOY-T2-5,50	745	825	820	Ø 300	300	300
SBOY-T2-7,50	810	865	900	Ø 350	350	300
SBOY-T2-11,0	795	820	960	Ø 350	350	300
SBOY-T2-15,0	870	840	1.040	Ø 400	400	320
SBOY-T2-18,5	915	975	1.090	Ø 400	400	320

# Radial Fans



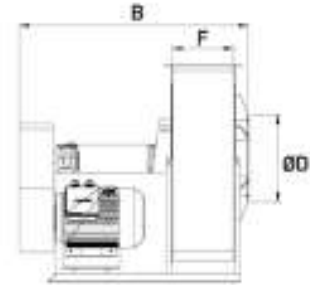
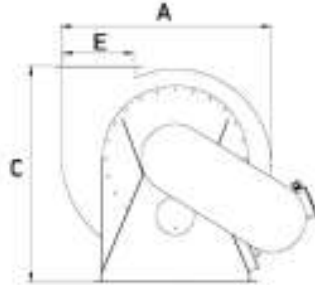
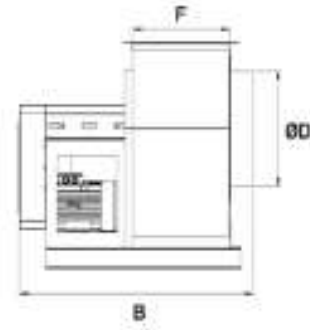
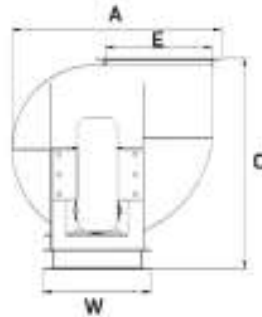
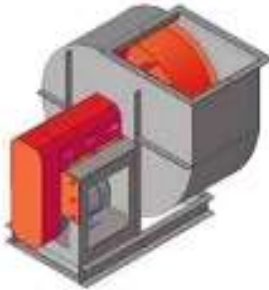
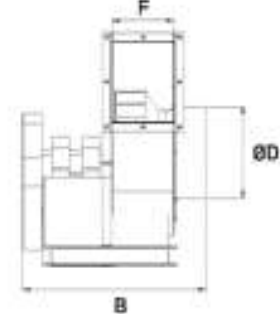
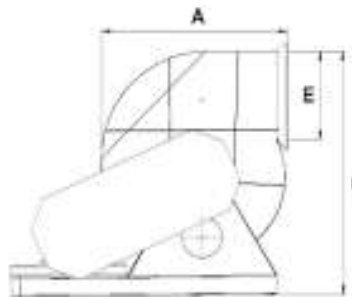
## SBKK

### BACKWARDS CURVED, SPARSE BLADE, BELT DRIVE, SINGLE SUCTION, RADIAL FANS

SBKK, designed for low and medium pressure systems, can be used in all kinds of facility ventilation. Thanks to its sparse channel structure, propeller cleaning is easy. It has the ability to operate at different speeds and meet different flow and pressure values, thanks to its belt-pulley mechanism drive.

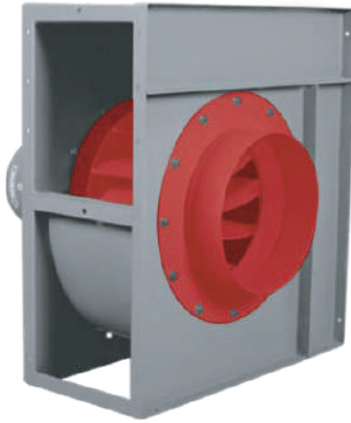
PRODUCT CODE	FAN DIA.	MOTOR DETAILS				MAX. AIR FLOW	MAX. PRESSURE LOSS
		VOLTAGE	POWER		MOTOR SPEED		
			V	KW			
MM	V	KW	HP	RPM	M <sup>3</sup> /H	PA	
SBKK-T4-0,37	340	380	0,37	0,50	1.380	2.000	400
SBKK-T4-0,75	400	380	0,75	1,00	1.410	3.800	500
SBKK-T4-1,10	430	380	1,10	1,50	1.430	4.900	600
SBKK-T4-1,50	450	380	1,50	2,00	1.430	6.800	650
SBKK-T4-2,20	500	380	2,20	3,00	1.435	9.000	700
SBKK-T4-3,00	560	380	3,00	4,00	1.435	12.000	1000
SBKK-T4-4,00	600	380	4,00	5,50	1.455	14.000	1100
SBKK-T4-5,50	630	380	5,50	7,50	1.465	16.000	1200
SBKK-T4-7,50	710	380	7,50	10,00	1.465	21.000	1500
SBKK-T4-11,0	780	380	11,00	15,00	1.470	25.000	1600
SBKK-T4-15,0	830	380	15,00	20,00	1.470	30.000	1800
SBKK-T4-18,5	890	380	18,50	25,00	1.475	35.000	2000
SBKK-T4-22,0	970	380	22,00	30,00	1.475	37.500	2000

# Radyal Fanlar

**A**

**B**

**C**


Type	Dimensions (mm)							
	A	B	C	L	D	E	F	
<b>A</b>	SBKK-0,50-T-4K	500	600	610	710	Ø 200	200	180
	SBKK-1,00-T-4K	565	640	730	805	Ø 300	260	200
	SBKK-1,50-T-4K	655	690	805	925	Ø 350	270	230
	SBKK-2,00-T-4K	690	735	855	960	Ø 350	300	250
	SBKK-3,00-T-4K	785	815	990	1.085	Ø 400	400	300
<b>B</b>	SBKK-4,00-T-4K	875	865	1.030	1.175	Ø 450	450	350
	SBKK-5,50-T-4K	920	935	1.080	1.250	Ø 500	500	400
	SBKK-7,50-T-4K	975	1.025	1.210	1.370	Ø 600	600	450
	SBKK-10,0-T-4K	1.035	1.065	1.220	1.515	Ø 600	600	500
	SBKK-15,0-T-4K	1.080	1.170	1.380	1.560	Ø 700	700	550
<b>C</b>	SBKK-20,0-T-4K	1.200	1.220	1.485	1.680	Ø 750	800	600
	SBKK-25,0-T-4K	1.260	1.355	1.535	1.800	Ø 800	800	600
	SBKK-30,0-T-4K	1.350	1.475	1.650	1.900	Ø 850	850	600

# Radial Fans



## SBAK

### FORWARD CURVED, SPARSE BLADE, DIRECTLY COUPLED, SINGLE SUCTION, SQUARE CASE RADIAL FANS

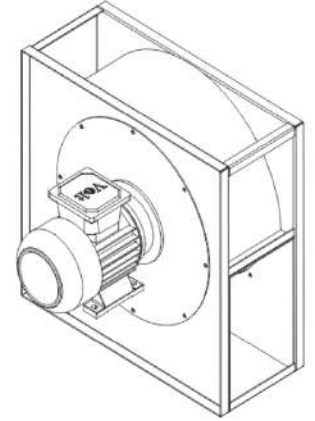
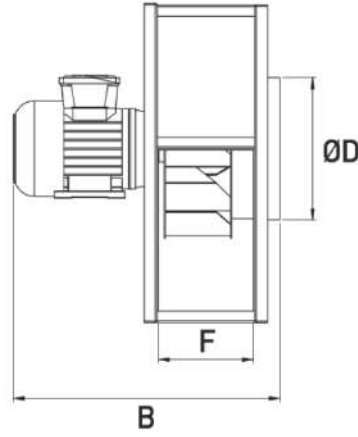
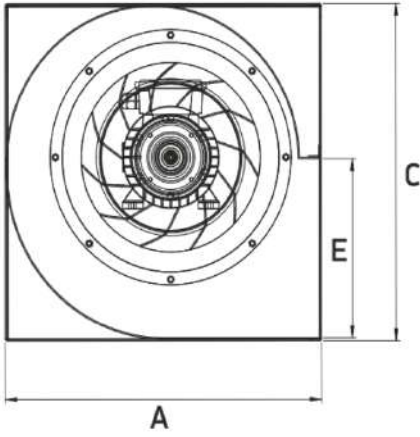
SFAK designed for low pressure systems, these fans can be used in any facility ventilation. Thanks to the square frame system, the safe can be easily turned to the desired shooting position. It is one of the most economical ventilation solutions.

PRODUCT CODE	FAN DIA.	ELEKTRİK MOTORU			MAX. AIR FLOW	MAX. PRESSURE LOSS	
		VOLTAGE	POWER				MOTOR SPEED
	MM	V	KW	HP	RPM	M <sup>3</sup> /H	PA
SBAK-T4-0,37	260	380	0,37	0,50	1.380	2.000	400
SBAK-T4-0,75	280	380	0,75	1,00	1.410	3.000	500
SBAK-T4-1,10	315	380	1,10	1,50	1.430	4.000	600
SBAK-T4-1,50	340	380	1,50	2,00	1.430	5.000	700
SBAK-T4-2,20	360	380	2,20	3,00	1.435	6.500	800
SBAK-T4-3,00	430	380	3,00	4,00	1.435	7.500	900
SBAK-T4-4,00	450	380	4,00	5,50	1.455	8.500	1000
SBAK-T4-5,50	500	380	5,50	7,50	1.465	10.500	1100
SBAK-T4-7,50	530	380	7,50	10,00	1.465	12.500	1200



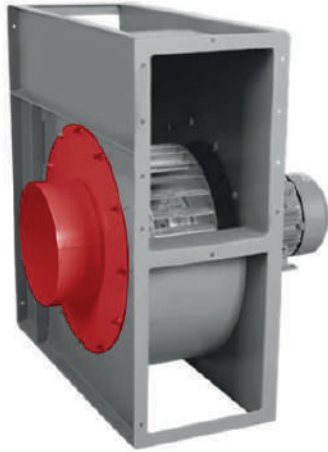


## Dimensions



Type	Dimensions (mm)					
	A	B	C	D	E	F
SBAK-T4-0,37	470	470	460	Ø 200	250	150
SBAK-T4-0,75	520	520	545	Ø 200	255	185
SBAK-T4-1,10	566	566	580	Ø 246	270	205
SBAK-T4-1,50	619	619	620	Ø 260	290	225
SBAK-T4-2,20	660	660	670	Ø 300	315	240
SBAK-T4-3,00	681	681	731	Ø 350	370	250
SBAK-T4-4,00	755	755	767	Ø 390	400	270
SBAK-T4-5,50	794	794	825	Ø 450	460	330
SBAK-T4-7,50	876	876	932	Ø 450	545	380

# Radial Fans



## SFAK

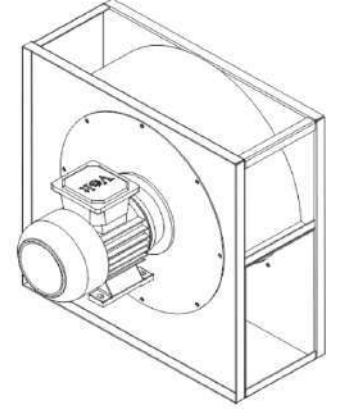
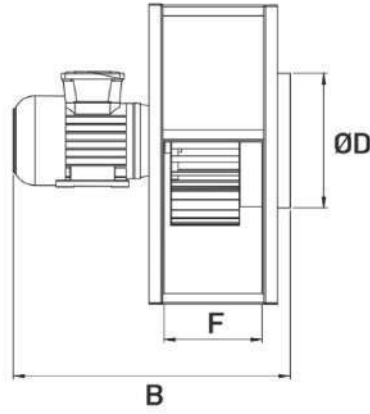
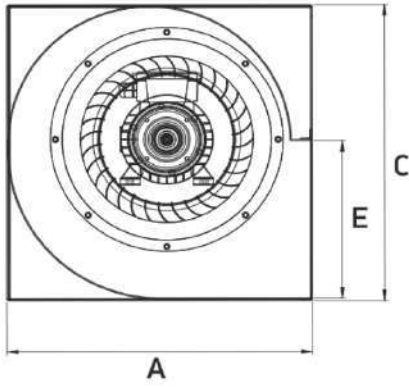
### FORWARD CURVED AND DENSE BLADES, DIRECTLY COUPLED, SINGLE SUCTION, SQUARE CASE RADIAL FANS

SFAK, Designed for low pressure systems, these fans can be used in any facility ventilation. Thanks to the square frame system, the safe can be easily turned to the desired shooting position. It is one of the most economical ventilation solutions.

PRODUCT CODE	FAN DIA.	MOTOR DETAILS				MAX. AIR FLOW	MAX. PRESSURE LOSS
		VOLTAGE	POWER		MOTOR SPEED		
	MM	V	KW	HP	RPM	M <sup>3</sup> /H	PA
SFAK-T4-0,37	250	380	0,37	0,50	1.380	2.000	400
SFAK-T4-0,75	280	380	0,75	1,00	1.410	3.000	500
SFAK-T4-1,10	310	380	1,10	1,50	1.430	4.000	600
SFAK-T4-1,50	340	380	1,50	2,00	1.430	5.000	700
SFAK-T4-2,20	360	380	2,20	3,00	1.435	6.500	800
SFAK-T4-3,00	380	380	3,00	4,00	1.435	7.500	900
SFAK-T4-4,00	400	380	4,00	5,50	1.455	8.500	1000
SFAK-T4-5,50	450	380	5,50	7,50	1.465	10.500	1100
SFAK-T4-7,50	500	380	7,50	10,00	1.465	12.500	1200



## Dimensions



Type	Dimensions (mm)					
	A	B	C	D	E	F
SFAK-T4-0,37	470	519	460	Ø 200	250	150
SFAK-T4-0,75	520	574	545	Ø 200	255	185
SFAK-T4-1,10	566	594	580	Ø 246	270	205
SFAK-T4-1,50	619	634	620	Ø 260	290	225
SFAK-T4-2,20	660	674	670	Ø 300	315	240
SFAK-T4-3,00	681	716	731	Ø 300	370	250
SFAK-T4-4,00	755	756	767	Ø 320	400	270
SFAK-T4-5,50	794	855	825	Ø 350	460	330
SFAK-T4-7,50	876	905	932	Ø 350	545	380

# Radial Fans



## SBPR

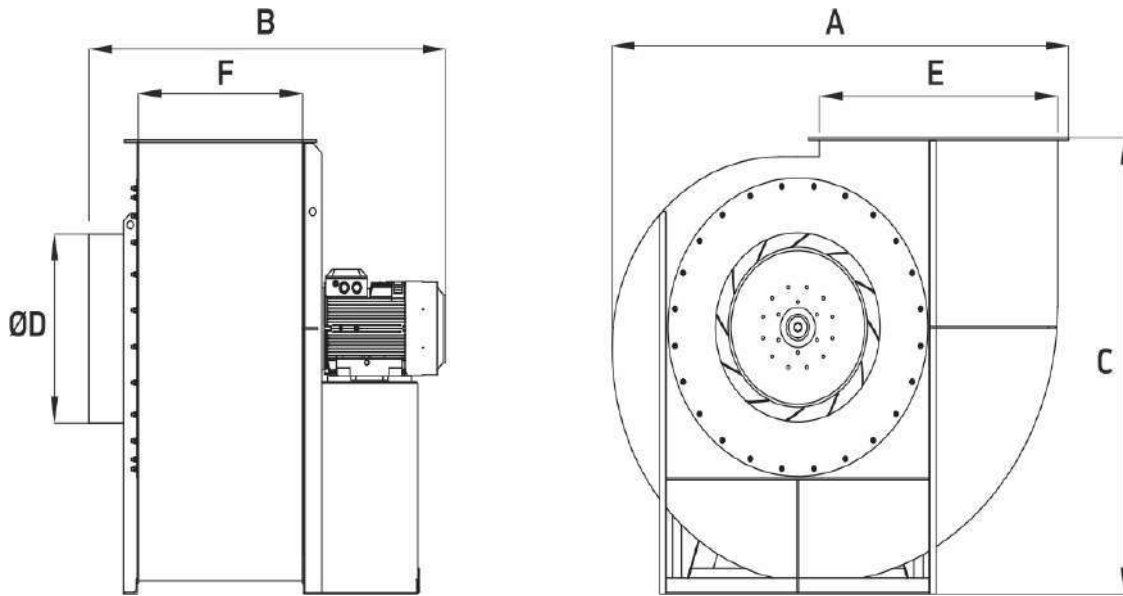
### BACKWARD CURVED AND SPARSE BLADES, DIRECTLY COUPLED, SINGLE SUCTION, RADIAL FANS

SBPR medium and high pressure systems, these fans can be used in any facility ventilation. Especially suitable for dust collection systems. Due to the sparse blade structure, propeller cleaning is easy. They overcome strong pressure losses thanks to their high speed.

PRODUCT CODE	FAN DIA.	MOTOR DETAILS				MAX. AIR FLOW	MAX. PRESSURE LOSS
		VOLTAGE	POWER		MOTOR SPEED		
			MM	V			
SBPR-T4-0,37	351	380	0,37	0,50	1.380	1500 / 3000	375 / 150
SBPR-T4-0,55	401	380	0,55	0,75	1.390	2000 / 5000	500 / 150
SBPR-T4-0,75	452	380	0,75	1,00	1.410	3000 / 6000	500 / 150
SBPR-T4-1,10	451	380	1,10	1,50	1.430	3000 / 7500	650 / 200
SBPR-T4-1,50	502	380	1,50	2,00	1.430	4000 / 9500	750 / 200
SBPR-T4-2,20	501	380	2,20	3,00	1.435	4000 / 11000	850 / 250
SBPR-T4-3,00	562	380	3,00	4,00	1.435	6000 / 13000	950 / 250
SBPR-T4-4,00	561	380	4,00	5,50	1.455	6000 / 15000	1050 / 350
SBPR-T4-5,50	632	380	5,50	7,50	1.465	7000 / 19000	1300 / 300
SBPR-T4-7,50	631	380	7,50	10,00	1.465	8500 / 22000	1350 / 500
SBPR-T4-11,0	712	380	11,00	15,00	1.460	10000 / 27000	1550 / 500
SBPR-T4-15,0	711	380	15,00	20,00	1.470	12000 / 32000	1750 / 500
SBPR-T4-18,5	802	380	18,50	25,00	1.475	15000 / 37500	2000 / 600
SBPR-T4-22,0	801	380	22,00	30,00	1.475	18000 / 45000	2200 / 650
SBPR-T4-30,0	903	380	30,00	40,00	1.475	20000 / 47000	2350 / 1000
SBPR-T4-37,0	902	380	37,00	50,00	1.475	22000 / 53000	2500 / 1000
SBPR-T4-45,0	901	380	45,00	60,00	1.475	22000 / 62000	2750 / 1000
SBPR-T4-55,0	1002	380	55,00	75,00	1.475	28000 / 73000	3100 / 1000
SBPR-T4-75,0	1001	380	75,00	100,00	1.475	32000 / 90000	3400 / 1000



## Dimensions



Type	Dimensions (mm)					
	A	B	C	D	E	F
SBPR-T4-0,37	735	630	715	Ø 360	355	250
SBPR-T4-0,55	820	705	800	Ø 405	400	280
SBPR-T4-0,75	910	740	895	Ø 455	450	315
SBPR-T4-1,10	910	765	895	Ø 455	450	315
SBPR-T4-1,50	1.010	975	985	Ø 505	500	355
SBPR-T4-2,20	1.010	825	985	Ø 505	500	355
SBPR-T4-3,00	1.140	875	960	Ø 570	560	400
SBPR-T4-4,00	1.140	900	960	Ø 570	560	400
SBPR-T4-5,50	1.280	1.060	1.080	Ø 640	630	450
SBPR-T4-7,50	1.280	1.060	1.080	Ø 640	630	450
SBPR-T4-11,0	1.440	1.135	1.210	Ø 720	710	500
SBPR-T4-15,0	1.440	1.230	1.210	Ø 720	710	500
SBPR-T4-18,5	1.625	1.305	1.360	Ø 810	800	560
SBPR-T4-22,0	1.625	1.305	1.360	Ø 810	800	560
SBPR-T4-30,0	1.760	1.415	1.530	Ø 910	900	630
SBPR-T4-37,0	1.760	1.510	1.530	Ø 910	900	630
SBPR-T4-45,0	1.760	1.410	1.530	Ø 910	900	630
SBPR-T4-55,0	1.970	1.620	1.710	Ø 1.010	1.000	710
SBPR-T4-75,0	1.970	1.825	1.710	Ø 1.010	1.000	710

# Radial Fans

## SEUM



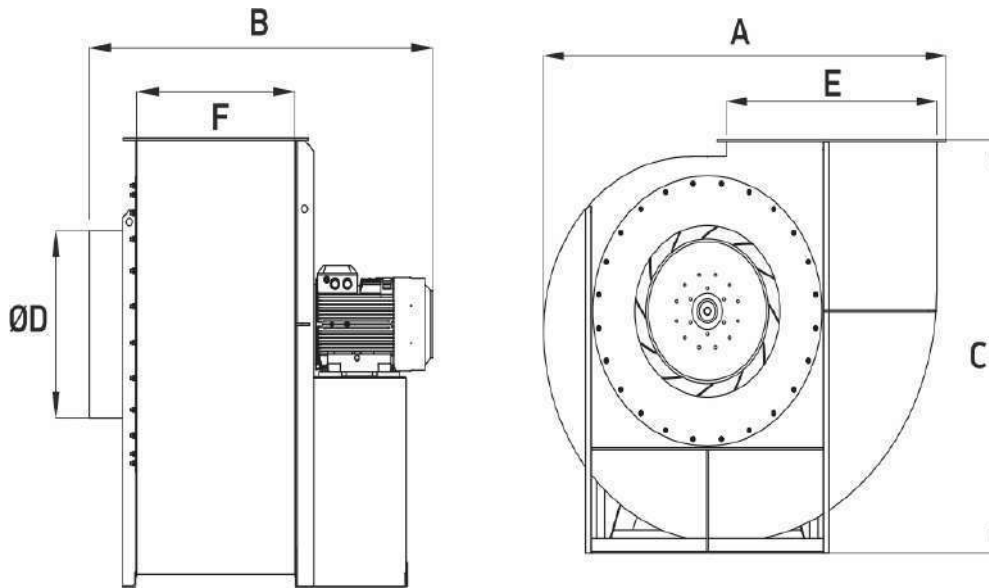
### BACKWARDS CURVED AND SPARSE BLADES, DIRECTLY COUPLED, SINGLE SUCTION, RADIAL FANS

Designed for medium and high pressure systems, these EUM fans can be used in any facility ventilation. Especially suitable for dust collection systems. Due to the sparse blade structure, propeller cleaning is easy. They overcome strong pressure losses thanks to their high speed.

PRODUCT CODE	FAN DIA.	MOTOR DETAILS				MAX. AIR FLOW	MAX. PRESSURE LOSS
		VOLTAGE	POWER		MOTOR SPEED		
			MM	V			
SEUM-T2-1,10	311	380	1,10	1,50	2.880	800 / 2700	1450 / 900
SEUM-T2-2,20	351	380	2,20	3,00	2.880	1350 / 3750	1950 / 1250
SEUM-T2-4,00	401	380	4,00	5,50	2.880	1750 / 5500	2500 / 1300
SEUM-T2-7,50	451	380	7,50	10,00	2.910	2500 / 7500	3250 / 2200
SEUM-T2-11,0	501	380	11,00	15,00	2.945	3500 / 9500	3900 / 2800
SEUM-T2-15,0	562	380	15,00	20,00	2.945	4200 / 13500	4100 / 2500
SEUM-T2-18,5	561	380	18,50	25,00	2.950	5500 / 15000	4700 / 2800
SEUM-T2-22,0	633	380	22,00	30,00	2.950	6700 / 16800	4900 / 2800
SEUM-T2-30,0	632	380	30,00	40,00	2.970	7500 / 19000	5500 / 3400
SEUM-T2-37,0	631	380	37,00	50,00	2.970	7700 / 21000	5900 / 3750



## Dimensions



Type	Dimensions (mm)					
	A	B	C	D	E	F
SEUM-T2-1,10	650	600	610	$\varnothing 255$	200	180
SEUM-T2-2,20	735	650	715	$\varnothing 290$	280	200
SEUM-T2-4,00	820	710	800	$\varnothing 320$	315	225
SEUM-T2-7,50	910	850	895	$\varnothing 360$	355	250
SEUM-T2-11,0	1.010	900	985	$\varnothing 405$	400	280
SEUM-T2-15,0	1.130	935	960	$\varnothing 455$	450	315
SEUM-T2-18,5	1.130	935	960	$\varnothing 455$	450	315
SEUM-T2-22,0	1.270	1.085	1.080	$\varnothing 505$	500	355
SEUM-T2-30,0	1.270	1.130	1.080	$\varnothing 505$	500	355
SEUM-T2-37,0	1.270	1.130	1.080	$\varnothing 505$	500	355

# Radial Fans

## OBR

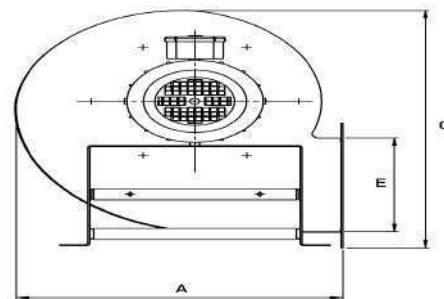
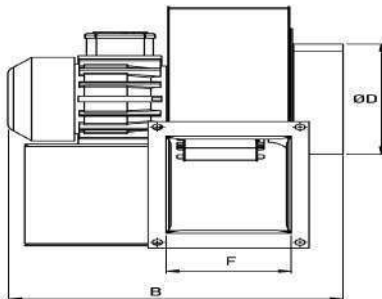
### Centrifugal OBR Metal Fan



#### USAGE AREAS;

- \* Ventilation of indoor environments
- \* For air filling and discharge purposes
- \* Air transfer, ventilation
- \* In many branches of the manufacturing industry
- \* Greenhouses, factories, paint shops
- \* It is used in steam ironing machines, olive sieving machines, plastic and packaging machines.

PRODUCT CODE	MOTOR DETAILS			MAX. AIR FLOW	SOUND LEVEL	WEIGHT
	VOLTAGE	POWER	MOTOR DEVRİ			
	V	W	RPM			
OBR-M2-200	220	370	2880	1.850	55	9,0
OBR-M4-200	220	300	1400	950	50	8,4
OBR-M2-200S	220	260	2800	1.050	55	9,3
OBR-M2-260	220	750	2800	2.500	72	9,5
OBR-M4-260	220	350	1400	1.300	66	12,8
OBR-T2-200	380	370	2800	2.150	60	8,3
OBR-T4-200	380	280	1400	1.050	55	8,4
OBR-T2-260	380	750	2800	2.650	72	11,2
OBR-T4-260	380	220	1400	1.350	66	9,8



Type	Dimensions (mm)					
	A	B	C	D	E	F
OBR-200	288	322	315	163	115	102
OBR-260	405	405	360	197	137	115



# Radial Fans

## PATEX



### PLASTIC BODY AND BLADES, DIRECT COUPLED, SINGLE SUCTION, RADIAL FANS

PATEX, designed for low and medium pressure systems, are especially used in air systems with acidic and corrosive effects on metal. They are not very suitable for use at high temperatures. They can be used as ex-proof.

PRODUCT CODE	MOTOR DETAILS			MAX. AIR FLOW	SOUND LEVEL	WEIGHT
	VOLTAGE	POWER	MOTOR SPEED			
	V	KW	RPM			
PATEX 202	380	0,18	2750	1.800	53	17,0
PATEX 222	380	0,25	2800	2.500	56	24,0
PATEX 252	380	0,37	2800	3.500	59	24,0
PATEX 282	380	0,75	2850	4.500	63	33,0
PATEX 312	380	1,50	2850	6.000	65	45,0
PATEX 352	380	2,20	2870	9.000	68	51,0
PATEX 452	380	4,00	2860	12.000	68	72,0

# Radial Fans

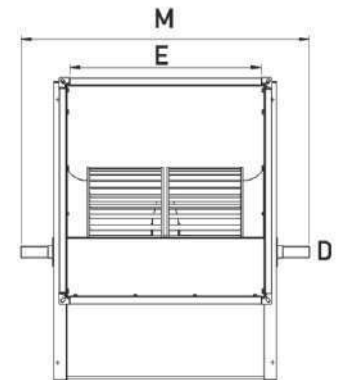


## SCAD

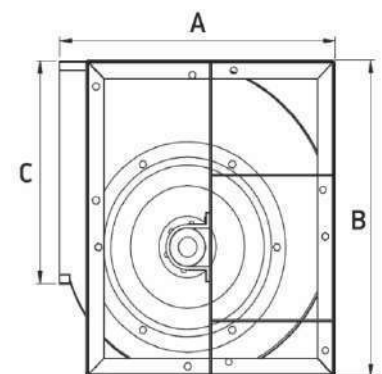
### FORWARD CURVED AND DENSE BLADES, DOUBLE SUCTION, CELL INTERNAL FAN RADIAL FANS

SCAD series fans are double suction forward curved radial fans with dense blades. They can be used for suction and discharge applications in commercial and industrial HVAC systems with flow rates between 6,000 m<sup>3</sup>/h and 47,000 m<sup>3</sup>/h without overloading with high efficiency. They provide maximum efficiency with low energy.

PRODUCT CODE	FAN TYPE.	MOTOR DETAILS				MAX. AIR FLOW	MAX. PRESSURE LOSS	WEIGHT
		VOLTAGE	POWER		FAN SPEED			
		V	KW	HP	RPM			
SCAD-280	280	380	5,50	7,50	2300	7.700	2100	22,0
SCAD-315	315	380	5,50	7,50	1900	10.000	1950	33,0
SCAD-355	355	380	7,50	10,00	1600	12.900	1800	45,0
SCAD-400	400	380	7,50	10,00	1500	16.100	1850	52,0
SCAD-455	455	380	11,00	15,00	1300	19.950	1700	68,0
SCAD-500	500	380	11,00	15,00	1100	26.900	1450	85,0
SCAD-560	560	380	15,00	20,00	1000	30.000	1550	140,0
SCAD-630	630	380	15,00	20,00	850	37.500	1400	170,0
SCAD-710	710	380	18,50	25,00	700	47.000	1200	200,0



Type	Dimensions (mm)					
	A	B	C	D	E	M
SCAD-280	466	518	361	Ø 30	361	555
SCAD-315	518	578	404	Ø 30	404	600
SCAD-355	578	655	453	Ø 35	453	675
SCAD-400	649	736	507	Ø 35	507	725
SCAD-455	726	827	569	Ø 40	569	815
SCAD-500	800	918	638	Ø 40	638	885
SCAD-560	891	1.030	715	Ø 50	715	1.000
SCAD-630	996	1.157	801	Ø 50	801	1.085
SCAD-710	1.117	1.303	898	Ø 50	898	1.255



# Radial Fans

## SCAT

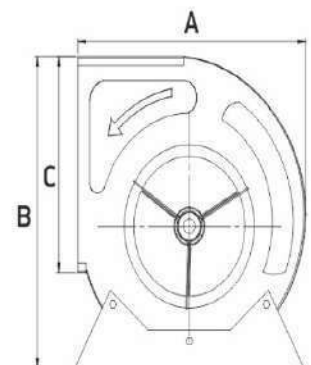
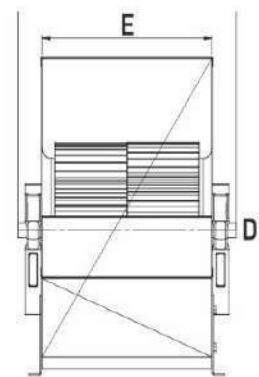


### FORWARD CURVED AND DENSE BLADES, DOUBLE SUCTION, INTERNAL CELL RADIAL FANS

SCAT series fans are double inlet forward curved radial fans with dense blades. It is produced as standard in different sizes. They can be used for suction and discharge applications in commercial and industrial HVAC systems with flow rates between 3,000 m<sup>3</sup>/h and 22,000 m<sup>3</sup>/h. They provide maximum efficiency with low energy.

PRODUCT CODE	FAN TYPE	MOTOR DETAILS				MAX AIR FLOW	MAX. PRESSURE LOSS	WEIGHT
		VOLTAGE	POWER		FAN SPEED			
			V	KW	HP			
SCAT-07-07	07/07	380	3,00	4,00	2400	3.000	900	6,1
SCAT-09-09	09/09	380	3,00	4,00	2000	5.000	900	8,2
SCAT-10-10	10/10	380	4,00	5,50	1800	6.800	1200	9,4
SCAT-12-12	12/12	380	5,50	7,50	1400	9.800	1000	15,5
SCAT-15-15	15/15	380	5,50	7,50	1150	13.000	900	20,7
SCAT-18-18	18/18	380	7,50	10,00	1000	20.000	1000	40,5
SCAT-15-15 K	15/15	380	7,50	10,00	1150	15.000	900	20,7
SCAT-18-18 K	18/18	380	11,00	15,00	1000	22.000	1000	40,5

Type	Dimensions (mm)					
	A	B	C	D	E	F
SCAT-07-07	316	325	208	Ø 20	232	340
SCAT-09-09	380	387	262	Ø 20	298	394
SCAT-10-10	425	443	289	Ø 20	331	420
SCAT-12-12	491	521	341	Ø 25	395	510
SCAT-15-15	569	609	404	Ø 25	471	608
SCAT-18-18	684	739	478	Ø 25	557	694
SCAT-15-15 K	569	609	404	Ø 30	471	608
SCAT-18-18 K	684	739	478	Ø 30	557	694



# Radial Fans

## SCRD

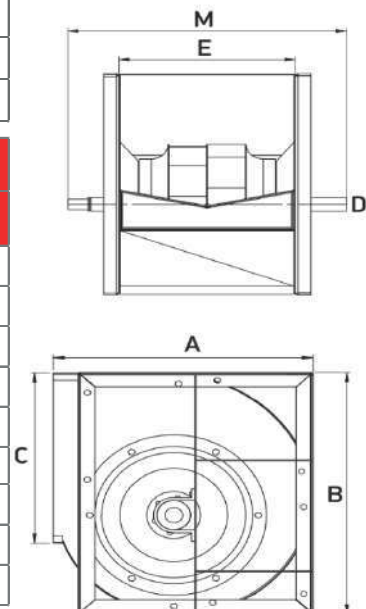


### BACKWARD CURVED AND SPARSE BLADES, DOUBLE SUCTION, INTERNAL CELL RADIAL FANS

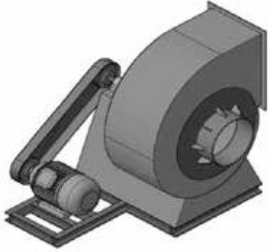
SCRD series fans are double inlet radial fans with forward curved blades. They can be used for suction and discharge applications in commercial and industrial HVAC systems between highly efficient overloading and flow rates of 4,500 m<sup>3</sup>/h. They provide maximum efficiency with low energy.

PRODUCT CODE	FAN TYPE	MOTOR DETAILS				MAX. AIR FLOW	MAX. PRESSURE LOSS	WEIGHT
		VOLTAGE	POWER		FAN SPEED			
			V	KW	HP			
SCRD-280	280	380	5,50	7,50	2300	7.000	2000	22,0
SCRD-315	315	380	5,50	7,50	1900	9.500	2000	33,0
SCRD-355	355	380	7,50	10,00	1600	11.900	2200	45,0
SCRD-400	400	380	7,50	10,00	1500	15.400	2100	52,0
SCRD-455	455	380	11,00	15,00	1300	19.950	2000	68,0
SCRD-500	500	380	11,00	15,00	1100	26.900	1800	85,0
SCRD-560	560	380	15,00	20,00	1000	30.000	1900	140,0
SCRD-630	630	380	15,00	20,00	850	37.500	1600	170,0
SCRD-710	710	380	18,50	25,00	700	47.000	1300	200,0

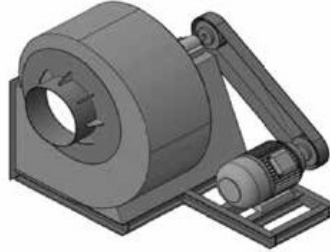
Type	Dimensions (mm)					
	A	B	C	D	E	M
SCRD-280	466	518	361	Ø 30	361	555
SCRD-315	518	578	404	Ø 30	404	600
SCRD-355	578	655	453	Ø 35	453	675
SCRD-400	649	736	507	Ø 35	507	725
SCRD-455	726	827	569	Ø 40	569	815
SCRD-500	800	918	638	Ø 40	638	885
SCRD-560	891	1.030	715	Ø 50	715	1.000
SCRD-630	996	1.157	801	Ø 50	801	1.085
SCRD-710	1.117	1.303	898	Ø 50	898	1.255



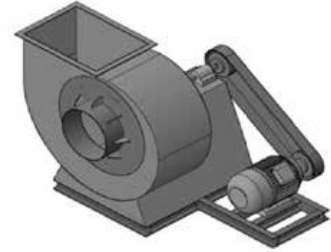
# Radial Fan Directions



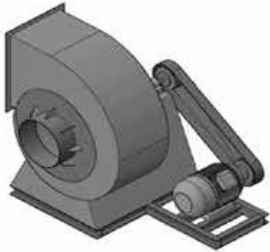
L090



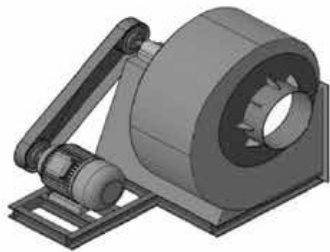
L270



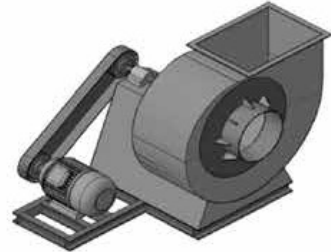
L360



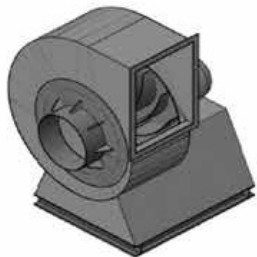
R090



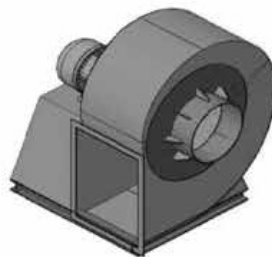
R270



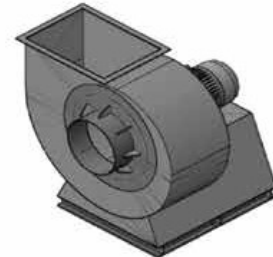
R360



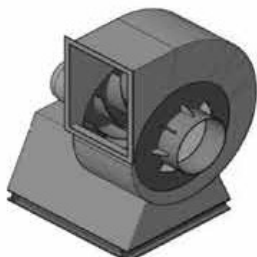
L090



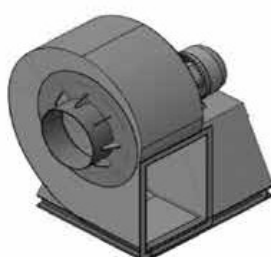
L270



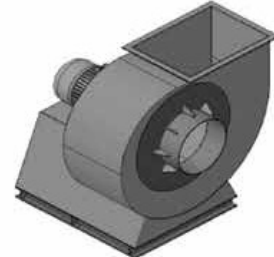
L360



R090



R270



R360



# CELL ASPIRATORS

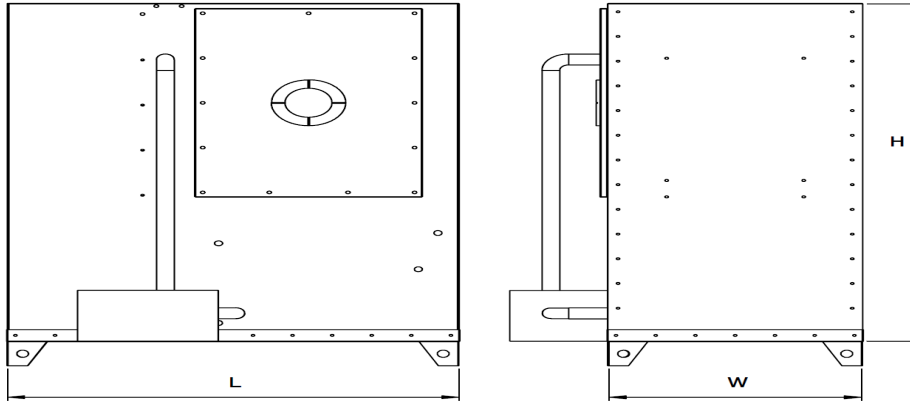
# Cell Aspirators

## CTYK

### WATER FILTER SYSTEM



ESYK is produced between 2,500 m<sup>3</sup>/h - 30,000 m<sup>3</sup>/h air flow rates. In order to prevent environmental pollution, it is used to clean the oil, smoke and dust of the polluted air caused by the operation of the enterprises before they are thrown into the atmosphere.



PRODUCT CODE	MAX. AIR FLOW	DIMENSIONS			WEIGHT
		MM			
	M <sup>3</sup> /H	L	W	H	KG
CTYK-025	2.500	850	600	1400	50
CTYK-040	4.000	900	650	1400	90
CTYK-050	5.000	1150	650	1400	100
CTYK-060	6.000	1300	650	1400	130
CTYK-075	7.500	900	1150	1400	150
CTYK-100	10.000	1100	1500	1400	200
CTYK-125	12.500	1250	1500	1400	250
CTYK-150	15.000	1400	1420	1400	300
CTYK-175	17.500	1400	1750	1400	350
CTYK-200	20.000	1400	2000	1400	400
CTYK-250	25.000	1400	2400	1400	500
CTYK-300	30.000	1400	2900	1400	600

# Cell Aspirators



## CTAT

### BELT-PULLEY SYSTEM, DRIVE MECHANISM, FORWARD CURVED AND DENSE BLADES, DOUBLE SUCTION RADIAL FAN CELL ASPIRATOR

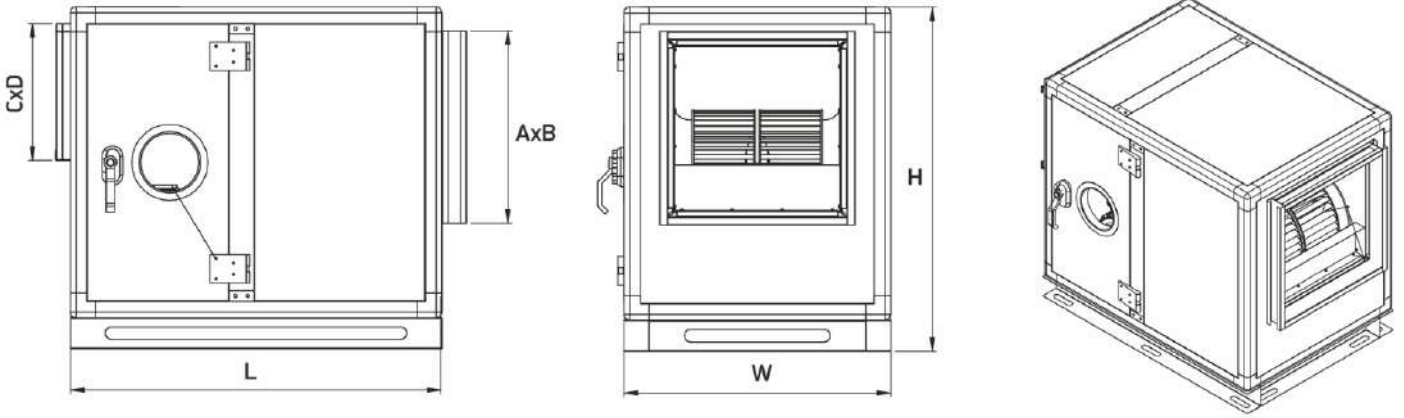
CTAT double suction centrifugal cell fans are produced in different sizes between 1.000m<sup>3</sup>/h and 20.000 m<sup>3</sup>/h flow rates. Cell panels are 20 mm thick and 70 kg/m<sup>3</sup> density rock wool insulated. They provide maximum efficiency with low energy and vibration-free operation.

PRODUCT CODE	FAN TYPE	MOTOR DETAILS				MAX. AIR FLOW	MAX. PRESSURE LOSS	WEIGHT
		VOLTAGE	POWER		MOTOR SPEED			
			V	KW				
CTAT-07-T4-0,75	07/07	380	0,75	1,00	1,410	2.250	400	75
CTAT-07-T4-1,10	07/07	380	1,10	1,50	1,430	2.800	400	75
CTAT-09-T4-1,10	09/09	380	1,10	1,50	1,430	4.000	350	90
CTAT-09-T4-1,50	09/09	380	1,50	2,00	1,430	5.000	225	96
CTAT-10-T4-1,50	10/10	380	1,50	2,00	1,430	5.500	325	100
CTAT-10-T4-2,00	10/10	380	2,00	3,00	1,435	6.500	325	105
CTAT-12-T4-2,00	12/12	380	2,00	3,00	1,435	7.500	400	132
CTAT-12-T4-3,00	12/12	380	3,00	4,00	1,435	8.500	450	137
CTAT-15-T4-3,00	15/15	380	3,00	4,00	1,435	10.000	450	153
CTAT-15-T4-4,00	15/15	380	4,00	5,50	1,455	12.000	400	155
CTAT-18-T4-5,50	18/18	380	5,50	7,50	1,465	18.000	300	170
CTAT-18-T4-7,50	18/18	380	7,50	10,00	1,465	20.000	375	180



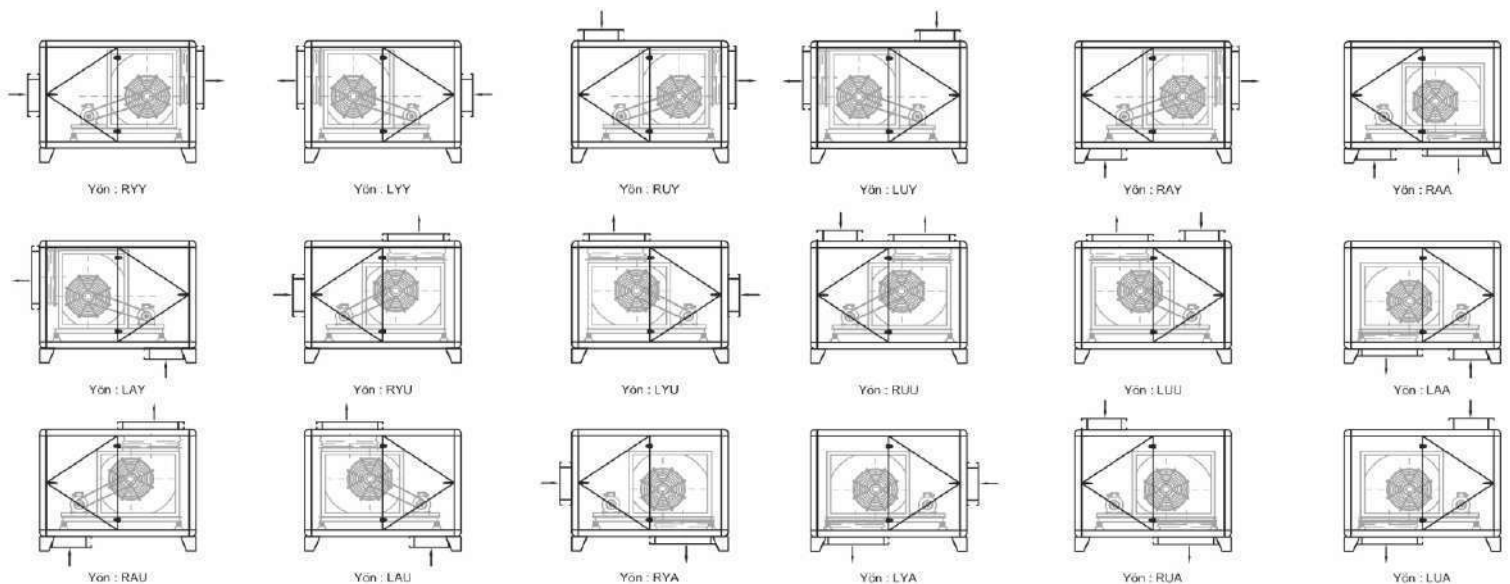


## Dimensions



Type	Dimensions (mm)						
	L	W	H	A	B	C	D
CTAT-07/07	850	580	580	232	210	480	200
CTAT-09/09	950	700	700	293	262	600	250
CTAT-10/10	1.050	750	750	330	290	650	350
CTAT-12/12	1.100	850	850	400	340	750	400
CTAT-15/15	1.200	900	900	470	405	800	500
CTAT-18/18	1.240	1.000	1.000	560	480	900	550

## Flow Directions



# Cell Aspirators



## CFAT

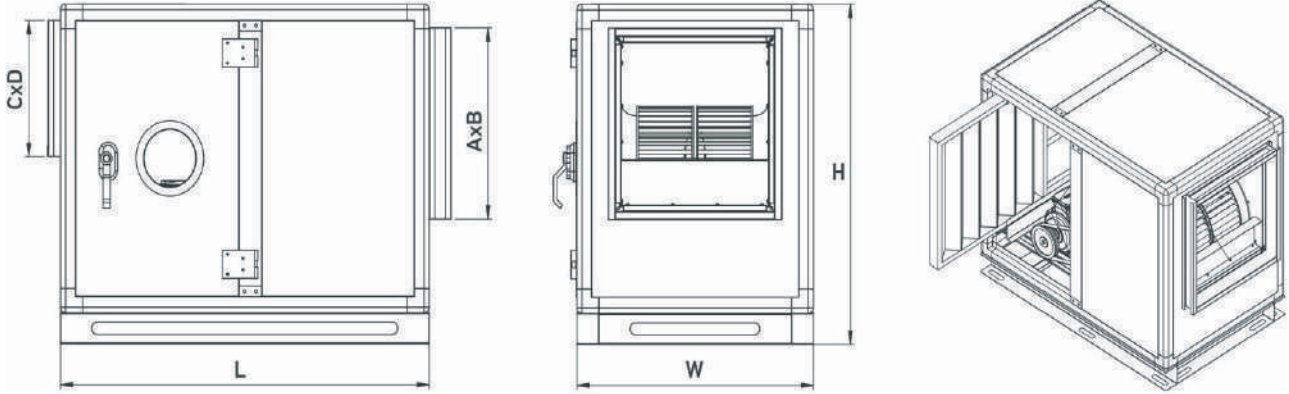
### G4 FIBER CASSETTE FILTER, DOUBLE SUCTION, DENSE BLADES, RADIAL FAN CELL ASPIRATOR

CFAT double suction centrifugal cell fans are produced in different sizes between 1000-20.000m<sup>3</sup>/h flow rates, cell panels are 20mm thick and 70 kg/m<sup>3</sup> density rock wool insulated, vibration-free operation, low energy and max. they provide efficiency.

PRODUCT CODE	FAN TYPE	FILTER TYPE	MOTOR DETAILS				MAX. AIR FLOW	MAX. PRESSURE LOSS	WEIGHT
			VOLTAGE	POWER		MOTOR SPEED			
			V	KW	HP	RPM	M <sup>3</sup> /H	PA	KG
CFAT-07-T4-0,75	07/07	G4	380	0,75	1,00	1,410	2.250	300	85
CFAT-07-T4-1,10	07/07	G4	380	1,10	1,50	1,430	2.800	300	85
CFAT-09-T4-1,10	09/09	G4	380	1,10	1,50	1,430	4.000	250	100
CFAT-09-T4-1,50	09/09	G4	380	1,50	2,00	1,430	5.000	125	106
CFAT-10-T4-1,50	10/10	G4	380	1,50	2,00	1,430	5.500	225	112
CFAT-10-T4-2,00	10/10	G4	380	2,00	3,00	1,435	6.500	225	116
CFAT-12-T4-2,00	12/12	G4	380	2,00	3,00	1,435	7.500	300	145
CFAT-12-T4-3,00	12/12	G4	380	3,00	4,00	1,435	8.500	350	150
CFAT-15-T4-3,00	15/15	G4	380	3,00	4,00	1,435	10.000	350	168
CFAT-15-T4-4,00	15/15	G4	380	4,00	5,50	1,455	12.000	350	172
CFAT-18-T4-5,50	18/18	G4	380	5,50	7,50	1,465	18.000	250	185
CFAT-18-T4-7,50	18/18	G4	380	7,50	10,00	1,465	20.000	275	200

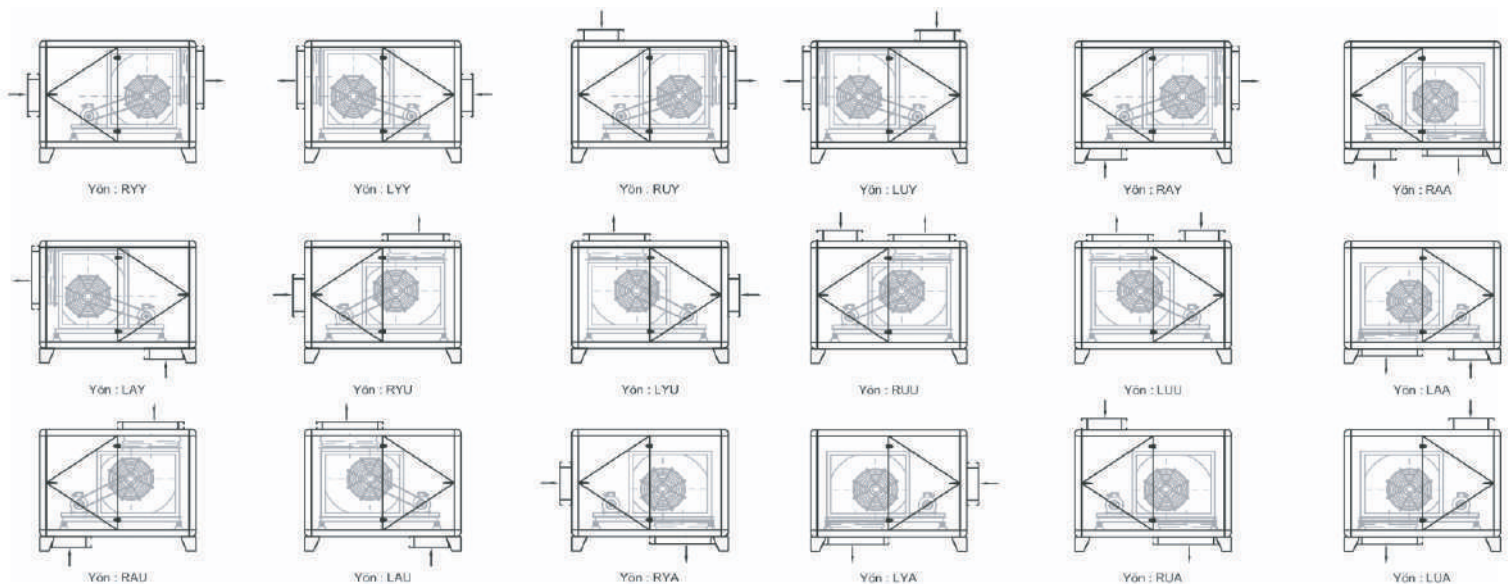


## Dimensions



Type	Dimensions (mm)						
	L	W	H	A	B	C	D
CFAT-07/07	1.000	580	580	232	210	480	200
CFAT-09/09	1.100	700	700	293	262	600	250
CFAT-10/10	1.200	750	750	330	290	650	350
CFAT-12/12	1.250	850	850	400	340	750	400
CFAT-15/15	1.350	900	900	470	405	800	500
CFAT-18/18	1.450	1.000	1.000	560	480	900	550

## Flow Directions



# Cell Aspirators

## CTRD



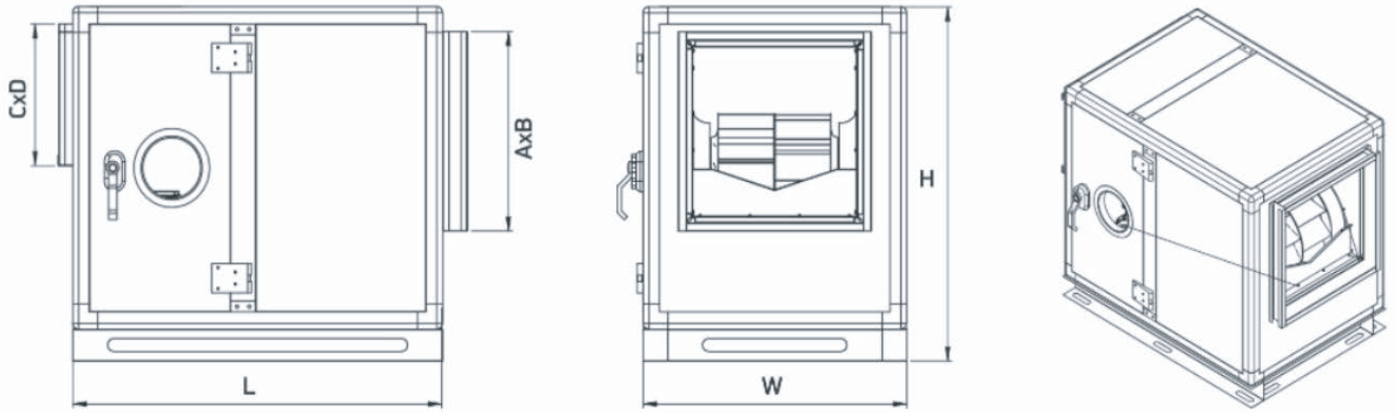
### CELL ASPIRATORS WITH BELT-PULLE DRIVE MECHANISM, BACKCURED AND SPARSE BLADES, DOUBLE BIAS AND RADIAL FAN

CTRD double suction centrifugal cell fans are produced in different sizes between 2,500 m<sup>3</sup>/h and 80,000 m<sup>3</sup>/h flow rates. Cell panels are 20 mm thick and 70 kg/m<sup>3</sup> density rock wool insulated. They provide maximum efficiency with low energy and vibration-free operation.

PRODUCT CODE	FAN DIA.	MOTOR DETAILS				MAX. AIR FLOW	MAX. PRESURE LOSS	WEIGHT
		VOLTAGE	POWER		MOTOR SPEED			
	MM	V	KW	HP	RPM	M <sup>3</sup> /H	PA	KG
CTRD-280-T2-1,50	280	380	1,50	2,00	2.880	5.500	400	100
CTRD-280-T2-2,20	280	380	2,20	3,00	2.880	6.500	450	105
CTRD-315-T2-2,20	315	380	2,20	3,00	2.880	7.500	450	155
CTRD-315-T2-3,00	315	380	3,00	4,00	2.880	8.500	500	165
CTRD-355-T2-3,00	355	380	3,00	4,00	2.880	10.000	425	175
CTRD-355-T2-4,00	355	380	4,00	5,50	2.880	11.500	375	185
CTRD-400-T2-4,00	400	380	4,00	5,50	2.880	13.000	400	200
CTRD-400-T2-5,50	400	380	5,50	7,50	2.900	14.500	500	220
CTRD-450-T4-5,50	450	380	5,50	7,50	1.465	16.000	500	240
CTRD-450-T4-7,50	450	380	7,50	10,00	1.465	18.500	600	255
CTRD-500-T4-7,50	500	380	7,50	10,00	1.465	21.000	500	340
CTRD-500-T4-11,0	500	380	11,00	15,00	1.470	25.000	500	350

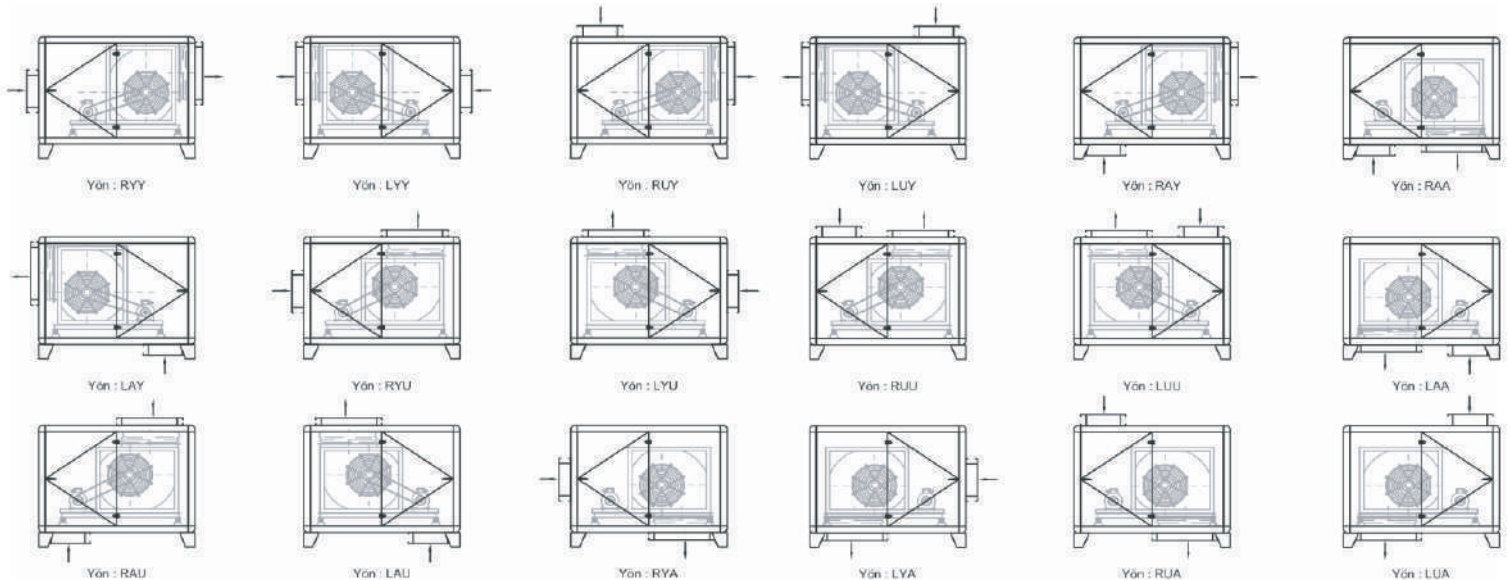


## Dimensions



Type	Dimensions (mm)						
	L	W	H	A	B	C	D
CTRD-280	1.050	750	750	361	361	650	350
CTRD-315	1.100	850	850	404	404	750	400
CTRD-355	1.200	900	900	453	453	800	500
CTRD-400	1.240	1.000	1.000	507	507	900	550
CTRD-450	1.400	1.100	1.100	569	569	1.000	600
CTRD-500	1.600	1.200	1.200	638	638	1.100	650

## Flow Directions



# Cell Aspirators

## CFRD



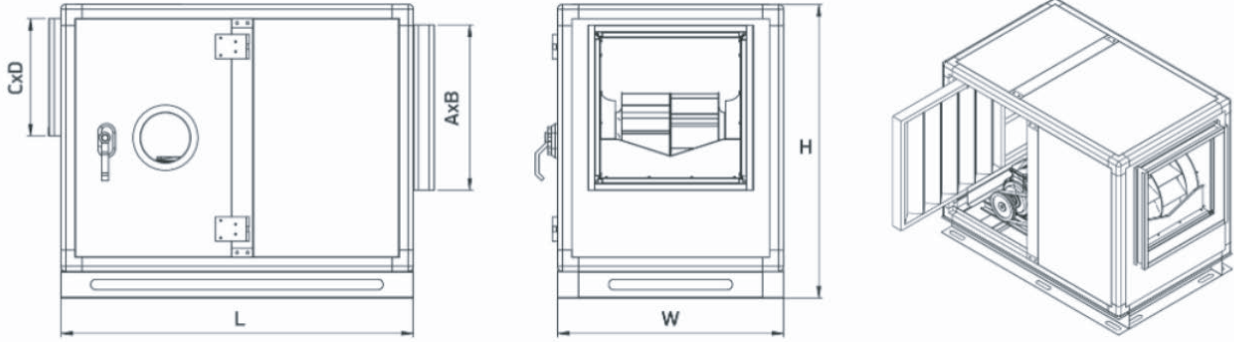
**CELL ASPIRATORS WITH BELT-PULSE DRIVE MECHANISM, BACKWARD CURVED AND SQUARE BLADES, G2 METAL CASSETTE FILTER, DOUBLE BIAS AND RADIAL FAN**

CFRD double suction centrifugal cell fans are produced in different sizes between 2,500 m<sup>3</sup>/h and 80,000 m<sup>3</sup>/h flow rates. Cell panels are 20 mm thick and 70 kg/m<sup>3</sup> density rock wool insulated. They provide maximum efficiency with low energy and vibration-free operation.

PRODUCT CODE	FAN DIA.	FILTER TYPE	MOTOR DETAILS			MAX. AIR FLOW	MAX. PRESSURE LOSS	WEIGHT	
			VOLTAGE	POWER					MOTOR SPEED
	MM		V	KW	HP	RPM	M <sup>3</sup> /H	PA	KG
CFRD-280-T2-1,50	280	G2	380	1,50	2,00	2.880	5.500	300	115
CFRD-280-T2-2,20	280	G2	380	2,20	3,00	2.880	6.500	350	120
CFRD-315-T2-2,20	315	G2	380	2,20	3,00	2.880	7.500	350	170
CFRD-315-T2-3,00	315	G2	380	3,00	4,00	2.880	8.500	400	180
CFRD-355-T2-3,00	355	G2	380	3,00	4,00	2.880	10.000	325	190
CFRD-355-T2-4,00	355	G2	380	4,00	5,50	2.880	11.500	275	200
CFRD-400-T2-4,00	400	G2	380	4,00	5,50	2.880	13.000	350	220
CFRD-400-T2-5,50	400	G2	380	5,50	7,50	2.900	14.500	400	240
CFRD-450-T4-5,50	450	G2	380	5,50	7,50	1.465	16.000	400	260
CFRD-450-T4-7,50	450	G2	380	7,50	10,00	1.465	18.500	500	290
CFRD-500-T4-7,50	500	G2	380	7,50	10,00	1.465	21.000	500	370
CFRD-500-T4-7,50	500	G2	380	11,00	15,00	1.470	25.000	500	380

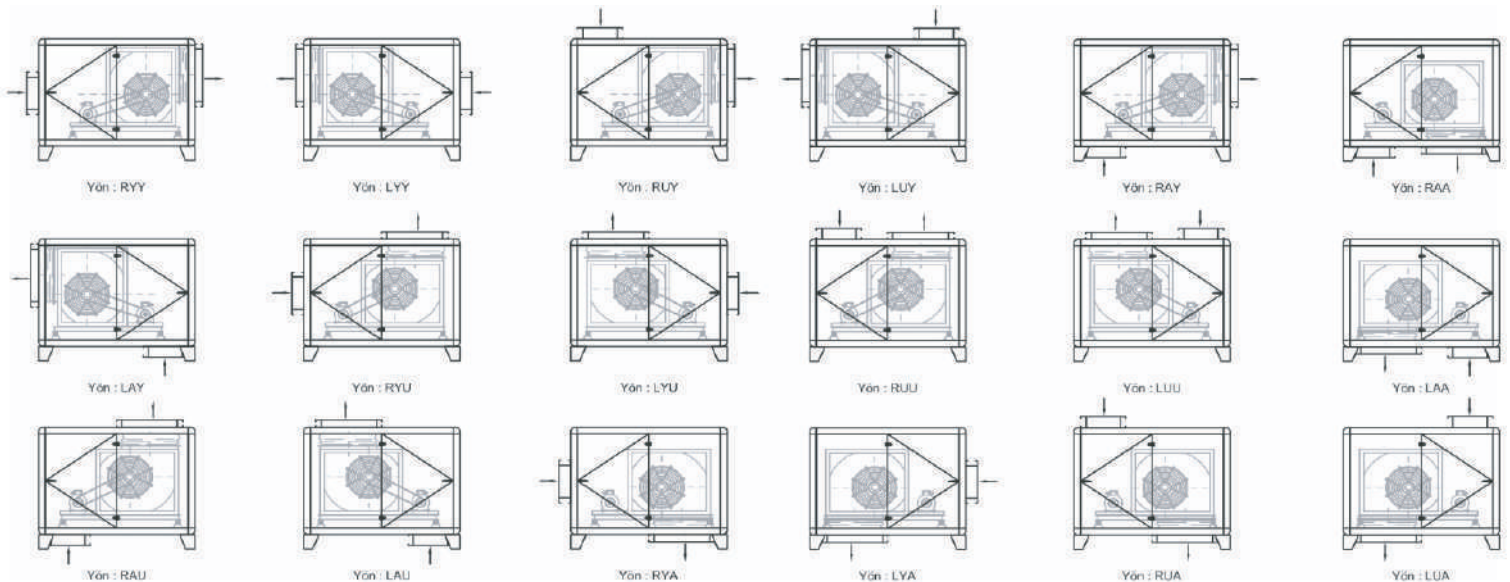


## Dimensions



Type	Dimensions (mm)						
	L	W	H	A	B	C	D
CFRD-280	1.200	750	750	361	361	650	350
CFRD-315	1.250	850	850	404	404	750	400
CFRD-355	1.350	900	900	453	453	800	500
CFRD-400	1.450	1.000	1.000	507	507	900	550
CFRD-450	1.550	1.100	1.100	569	569	1.000	600
CFRD-500	1.750	1.200	1.200	638	638	1.100	650

## Flow Directions



## Cell Aspirators

### CTRA



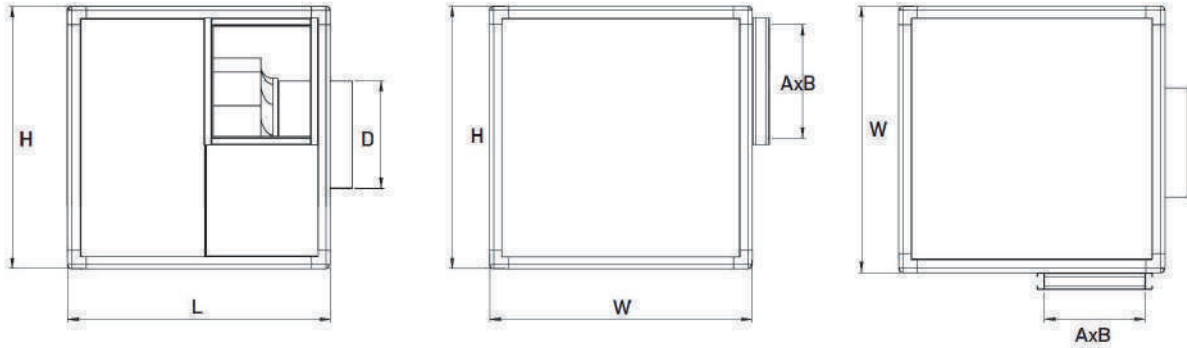
**CASSETTE TYPE METAL FILTER, DIRECT COUPLED MOTOR, SPARSE BLADES, 2 SECTIONS, SINGLE SUCTION, CELL ASPIRATOR**

CTRA Single suction centrifugal cell fans are produced in different sizes between 2,500 m<sup>3</sup>/h and 20,000 m<sup>3</sup>/h flow rates. Cell panels are 20 mm thick and 70 kg/m<sup>3</sup> density rock wool insulated. Kitchen, hood, etc. It is the most suitable solution for ventilating spaces that may contain oily air. There is a G2 metal cassette filter inside.

PRODUCT CODE	FAN DIA.	MOTOR DETAILS				MAX. AIR FLOW	MAX. PRESSURE LOSS	WEIGHT
		VOLTAGE	POWER		MOTOR SPEED			
			KW	HP				
MM	V	KW	HP	RPM	M <sup>3</sup> /H	PA	KG	
CTRA-T4-0,75	400	380	0,75	1,00	1.410	2.500	400	75
CTRA-T4-1,10	430	380	1,10	1,50	1.430	4.000	450	81
CTRA-T4-1,50	450	380	1,50	2,00	1.430	6.000	500	102
CTRA-T4-2,20	500	380	2,20	3,00	1.435	8.000	550	121
CTRA-T4-3,00	560	380	3,00	4,00	1.435	10.000	600	132
CTRA-T4-4,00	600	380	4,00	5,50	1.455	12.000	650	160
CTRA-T4-5,50	630	380	5,50	7,50	1.465	16.000	700	193
CTRA-T4-7,50	710	380	7,50	10,00	1.465	20.000	750	199

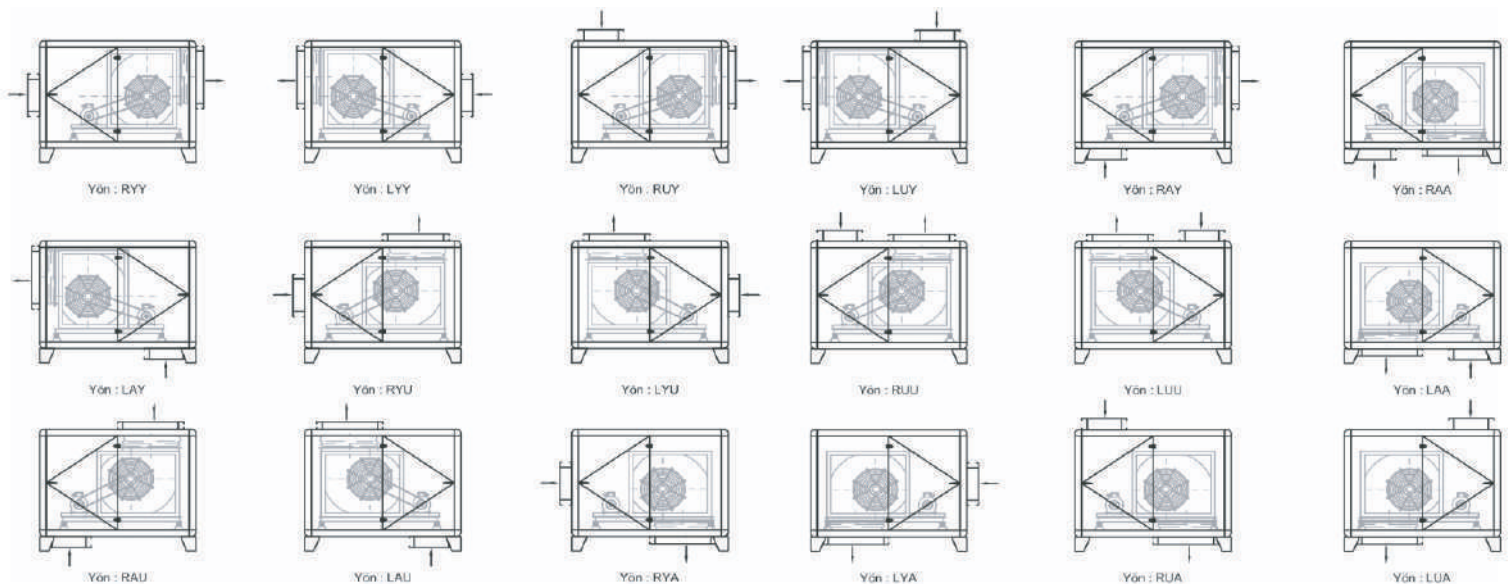


## Dimensions



Type	Dimensions (mm)				
	W	H	A	B	D
CTRA-T4-0,75	670	670	150	570	300
CTRA-T4-1,10	720	720	200	620	325
CTRA-T4-1,50	770	770	200	670	350
CTRA-T4-2,20	820	820	250	720	400
CTRA-T4-3,00	870	870	250	770	450
CTRA-T4-4,00	920	920	280	820	500
CTRA-T4-5,50	970	970	300	870	560
CTRA-T4-7,50	970	970	350	870	630

## Flow Directions



# Cell Aspirators

## CTRF



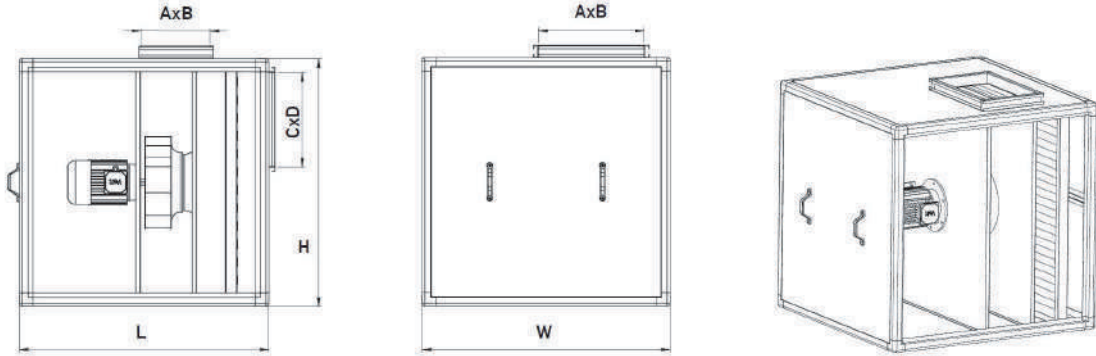
### CASSETTE TYPE METAL FILTER, DIRECT, COUPLED MOTOR, SQUARE BLADES, SINGLE SUCTION, 3 SECTION CELL ASPIRATOR

CTRF single suction centrifugal cell fans are produced in different sizes between 2.500m<sup>3</sup>/h and 20.000 m<sup>3</sup>/h flow rates. Cell panels are 20 mm thick and 70 kg/m<sup>3</sup> density rock wool insulated. Kitchen, hood, etc. It is the most suitable solution for ventilating spaces that may contain oily air. There is a G2 metal cassette filter inside.

PRODUCT CODE	FAN DIA.	FILTER TYPE	MOTOR DETAILS				MAX. AIR FLOW	MAX. PRESSURE LOSS	WEIGHT
			VOLTAGE	POWER		MOTOR SPEED			
	MM		V	KW	HP	RPM	M <sup>3</sup> /H	PA	KG
CTRF-T4-0,75	400	G2	380	0,75	1,00	1.410	2.500	300	86
CTRF-T4-1,10	430	G2	380	1,10	1,50	1.430	4.000	350	99
CTRF-T4-1,50	450	G2	380	1,50	2,00	1.430	6.000	400	105
CTRF-T4-2,20	500	G2	380	2,20	3,00	1.435	8.000	450	130
CTRF-T4-3,00	560	G2	380	3,00	4,00	1.435	10.000	500	150
CTRF-T4-4,00	600	G2	380	4,00	5,50	1.455	12.000	550	169
CTRF-T4-5,50	630	G2	380	5,50	7,50	1.465	16.000	600	205
CTRF-T4-7,50	710	G2	380	7,50	10,00	1.465	20.000	650	218

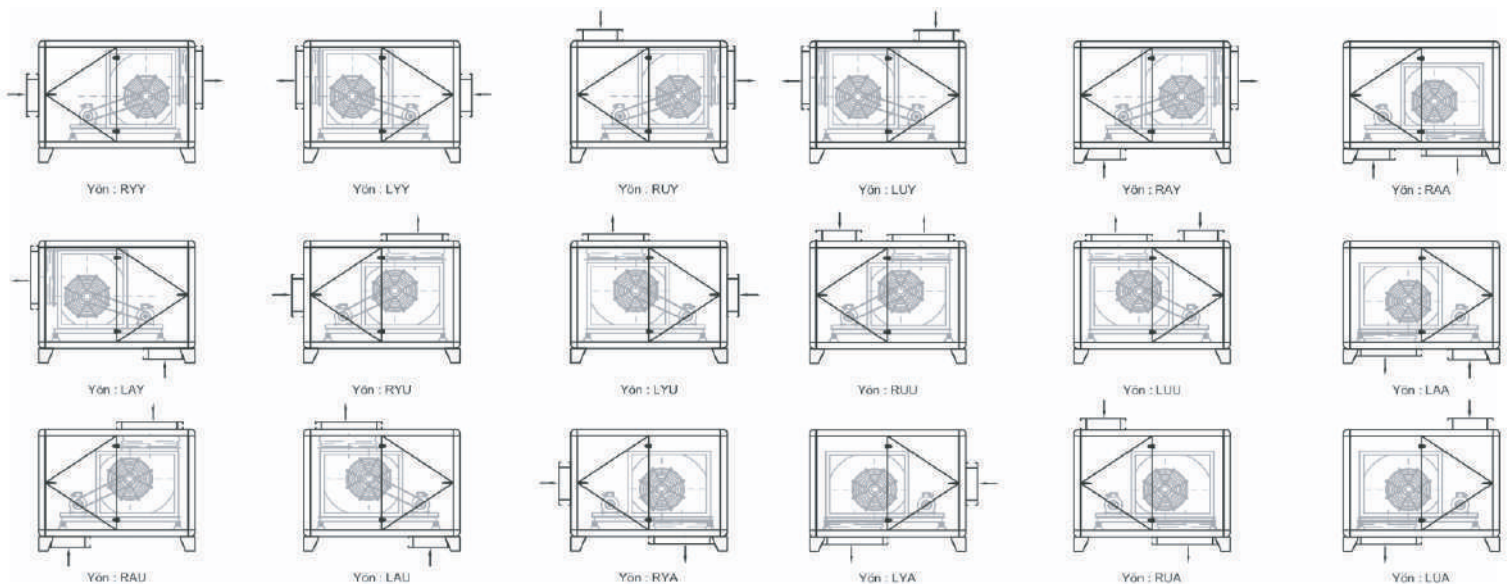


## Dimensions



Type	Dimensions (mm)						
	L	W	H	A	B	C	D
CTRF-T4-0,75	900	670	670	150	570	570	300
CTRF-T4-1,10	900	720	720	200	620	620	350
CTRF-T4-1,50	1.000	770	770	200	670	680	350
CTRF-T4-2,20	1.100	820	820	250	720	720	400
CTRF-T4-3,00	1.100	870	870	250	770	770	400
CTRF-T4-4,00	1.250	920	920	280	820	820	450
CTRF-T4-5,50	1.350	970	970	300	870	870	450
CTRF-T4-7,50	1.350	970	970	350	870	870	500

## Flow Directions



## Cell Aspirators

### CHAK

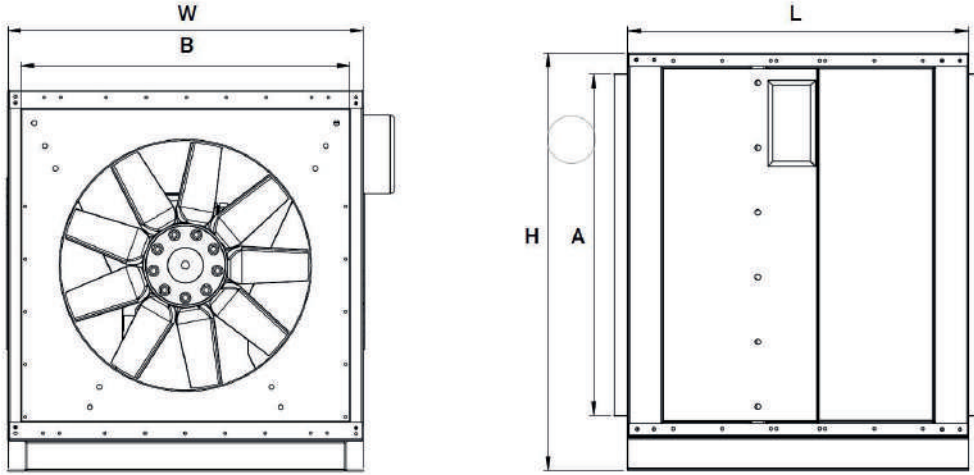
#### ALUMINUM IMPELLER CABINET AXIAL FAN



The impellers of the ERF-HKAF can meet high air flow rates and high pressure losses, are made of aluminum casting, and they provide the chance to change the flow and pressure thanks to their adjustable blade angles, the cabinet is insulated with 20mm thick foil rock wool, works silently, 200-300-400 °C according to demand 120 It can be produced with a motor resistant to minute temperature.

PRODUCT CODE	FAN DIA	MOTOR DETAILS				MAX. AIR FLOW
		VOLTAGE	POWER		MOTOR SPEED	
	MM	V	KW	HP	RPM	M <sup>3</sup> /H
CHAK-300-T4-0,37	280	380	0,37	0,50	1.380	3.000
CHAK-350-T4-0,37	330	380	0,37	0,50	1.380	3.500
CHAK-400-T4-0,55	380	380	0,55	0,75	1.380	5.000
CHAK-450-T4-0,55	430	380	0,55	0,75	1.380	6.500
CHAK-500-T4-0,75	480	380	0,75	1,00	1.380	9.500
CHAK-560-T4-1,10	540	380	1,10	1,50	1.410	12.000
CHAK-630-T4-1,50	610	380	1,50	2,00	1.430	14.500
CHAK-710-T4-3,00	690	380	3,00	4,00	1.435	23.500
CHAK-800-T4-5,50	780	380	5,50	7,50	1.455	34.000
CHAK-900-T4-7,50	880	380	7,50	10,00	1.465	40.000
CHAK-1000-T4-11,0	970	380	11,00	15,00	1.470	53.000
CHAK-1100-T4-15,0	1080	380	15,00	20,00	1.470	77.000
CHAK-1200-T4-18,5	1170	380	18,50	25,00	1.470	95.000

## Dimensions



Type	Impeller	Suction	Flow	Cell Size		
	Dia.	Size	Size	Leight	Width	Height
	D (mm)	A (mm)	B (mm)	L (mm)	W (mm)	H (mm)
CHAK-300-T4-0,37	Ø 300	490x490	490x490	500	570	550
CHAK-350-T4-0,37	Ø 350	490x490	490x490	550	650	650
CHAK-400-T4-0,55	Ø 400	500x500	500x500	592	568	640
CHAK-450-T4-0,55	Ø 450	500x500	500x500	592	568	640
CHAK-500-T4-0,75	Ø 500	536x536	536x536	592	600	600
CHAK-560-T4-1,10	Ø 560	624x624	624x624	745	707	707
CHAK-630-T4-1,50	Ø 630	694x694	694x694	745	777	777
CHAK-710-T4-3,00	Ø 710	774x774	774x774	910	857	857
CHAK-800-T4-5,50	Ø 800	865x865	865x865	910	950	950
CHAK-900-T4-7,50	Ø 900	965x965	965x965	1.065	1.050	1.050
CHAK-1000-T4-11,0	Ø 1.000	1069x1069	1069x1069	1.065	1.150	1.150
CHAK-1100-T4-15,0	Ø 1.100	1169x1169	1169x1169	1.065	1.250	1.250
CHAK-1200-T4-18,5	Ø 1.200	1319x1319	1319x1319	1.065	1.400	1.400



# HEAT RECOVERY DEVICES

# HEAT RECOVERY DEVICES

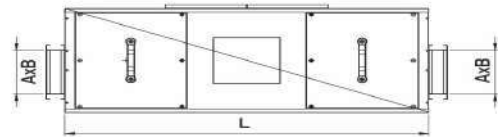
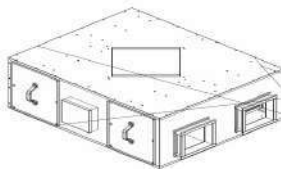
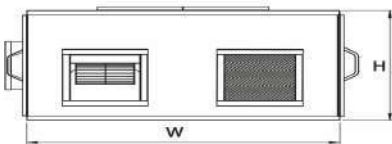
## HEXR



### DOUBLE SUCTION, RADIAL FAN, ALUMINUM HEAT EXCHANGER, CROSS-CURRENT, HEAT RECOVERY DEVICES

Heat recovery devices, which can be used in the comfort ventilation of all kinds of facilities, provide fresh air to the environment while exhausting the ambient air. It enables the fresh air to be preheated / cooled by making use of the heat energy of the exhaust air thrown out. Thus, it prevents negative effects on the ambient temperature.

PRODUCT CODE	MOTOR DETAILS			MAX. AIR FLOW
	VOLTAGE	POWER	MOTOR SPEED	
	V	W	RPM	M <sup>3</sup> /H
HEXR-15-M4	220	2x150	1.350	1.500
HEXR-25-M4	220	2x370	1.350	2.500
HEXR-35-M4	220	2x550	1.400	3.500
HEXR-45-M4	220	2x550	900	4.500



Type	Dimensions (mm)				
	L	W	H	A	B
HEXR-15-M4	980	800	400	230	210
HEXR-25-M4	1.350	985	510	290	260
HEXR-35-M4	1.700	1.180	580	330	290
HEXR-45-M4	1.800	1.230	650	400	330

# HEAT RECOVERY DEVICES

## HEXP

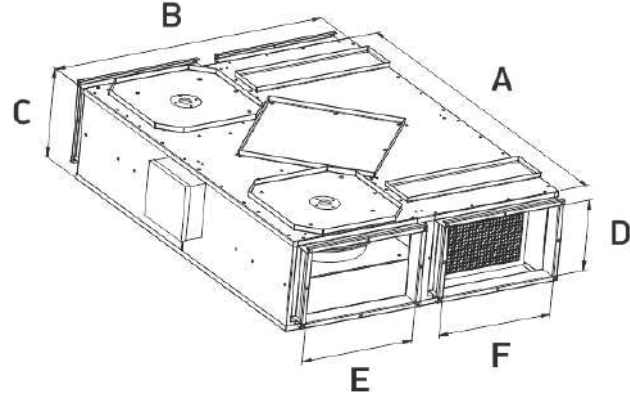
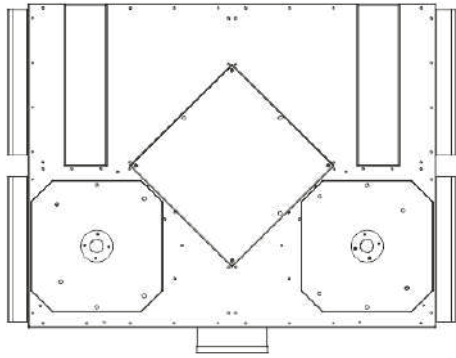


### HEAT RECOVERY DEVICES WITH ALUMINUM EXCHANGER, CROSS-CURRENT PLUG FAN

Heat recovery devices, which can be used in the comfort and ventilation of all kinds of facilities, provide fresh air to the environment while exhausting the ambient air. It enables the fresh air to be preheated / cooled by making use of the heat energy of the exhaust air thrown out. Thus, it prevents negative effects on the ambient temperature.

PRODUCT CODE	MOTOR DETAILS			MAX. AIR FLOW	SOUND LEVEL
	VOLTAGE	POWER	MOTOR SPEED		
	V	W	RPM		
HEXP-05-M2	220	2x110	2.600	500	43
HEXP-07-M2	220	2x135	2.660	750	46
HEXP-10-M4	220	2x210	1.400	1.000	46
HEXP-20-M4	220	2x400	1.375	2.000	48
HEXP-30-M4	220	2x430	1.380	3.000	49
HEXP-40-M4	220	2x600	1.335	4.000	54
HEXP-50-M4	220	2x630	1.340	5.000	57





## Dimensions

Type	Dimensions (mm)				
	A	B	C	A	B
HEXP-05-M2	1.000	800	260	320x200	180x200
HEXP-07-M2	1.100	900	315	455x220	200x220
HEXP-10-M4	1.200	1.000	365	455x270	300x270
HEXP-20-M4	1.500	1.200	415	555x320	400x320
HEXP-30-M4	1.700	1.200	475	555x380	400x380
HEXP-40-M4	1.800	1.300	515	655x420	420x400
HEXP-50-M4	2.000	1.500	615	855x520	400x520

# HEAT RECOVERY DEVICES

## HELK

### ELECTRIC DUCT TYPE HEATERS



HELK is generally used in heat recovery devices with the aim of preheating the fresh air that comes out by heating it up to the ambient temperature and blowing it into the environment. They are installed between the duct.

PRODUCT CODE	ELECTRIC DUCT TYPE HEATERS		MAX. AIR FLOW
	CAPACITY	STAGE NO	
	KW	NO.	M <sup>3</sup> /H
HELK-03-M-K1	3	1	1.000
HELK-05-M-K1	5	1	1.500
HELK-07-M-K2	7	2	2.000
HELK-08-M-K2	8	2	2.500
HELK-10-M-K3	10	3	3.000
HELK-12-M-K3	12	3	3.500
HELK-13-M-K3	13	3	4.000
HELK-15-M-K3	15	3	4.500

PRODUCT CODE	ELECTRIC DUCT TYPE HEATERS	
	CAPACITY	STAGE NO
	KW	NO.
HEPN-03-M-K1	3	1
HEPN-05-M-K1	5	1
HEPN-07-M-K2	7	2
HEPN-08-M-K2	8	2
HEPN-10-M-K3	10	3
HEPN-12-M-K3	12	3
HEPN-13-M-K3	13	3
HEPN-15-M-K3	15	3



**DUCT TYPE FANS**



# Duct Fans

## DTYF



### BACK CURVED AND SQUARE BLADE OUTER ROTOR MOTOR CIRCULAR SECTION DUCT FAN

Working with high efficiency and low noise level, these fans are extremely practical with their strong air flow and easy installation. It is suitable for canal diameter in both mouths. They have the ability to work in any mounting position.

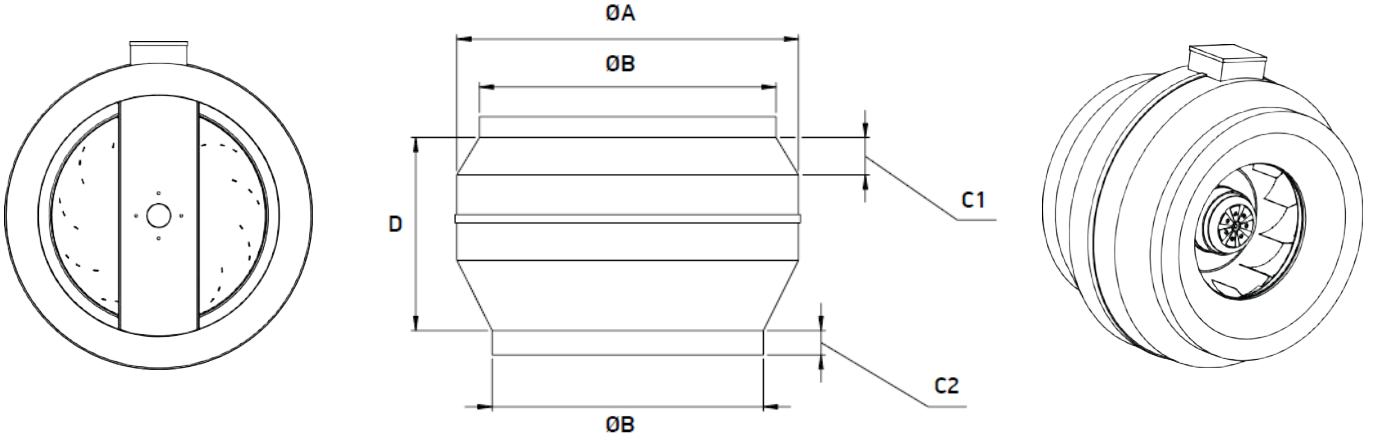
PRODUCT CODE	FAN DIA.	MOTOR DETAILS			MAX. AIR FLOW	SOUND LEVEL	WEIGHT
		VOLTAGE	POWER	MOTOR SPEED			
		MM	V	W			
DTYF-M2-100	180	220	60	2.300	240	44	2,5
DTYF-M2-125	180	220	85	2.325	315	43	3,0
DTYF-M2-150	180	220	90	2.385	420	46	3,5
DTYF-M2-160	180	220	95	2.400	440	45	4,0
DTYF-M2-200	250	220	125	2.550	870	46	5,5
DTYF-M2-250	250	220	145	2.635	1.150	46	6,0
DTYF-M2-315	280	220	210	2.660	1.750	48	7,0

### Capacity Table

Type	Air Flow (m <sup>3</sup> /h)								
	0 Pa	50 Pa	100 Pa	150 Pa	200 Pa	250 Pa	300 Pa	400 Pa	500 Pa
DTYF-M2-100	240	200	170	135	90	50	10		
DTYF-M2-125	315	260	215	175	115	65	10		
DTYF-M2-150	420	370	310	210	185	100	30		
DTYF-M2-160	440	350	290	240	160	95	20		
DTYF-M2-200	870	780	715	620	530	435	335	115	
DTYF-M2-250	1.150	1.050	980	900	820	740	635	410	180
DTYF-M2-315	1.750	1.650	1.530	1.450	1.300	1.200	1.080	860	600



## Duct Fans



PRODUCT CODE	Dimensions (mm)		
	A	B	D
DTYF-M2-100	245	97	197
DTYF-M2-125	245	122	188
DTYF-M2-150	272	147	192
DTYF-M2-160	272	157	192
DTYF-M2-200	330	196	230
DTYF-M2-250	330	247	227
DTYF-M2-315	400	313	285

# Duct Fans



## DTDF

### RECTANGULAR DUCT FANS WITH BACK CURVES SPARSE BLADES

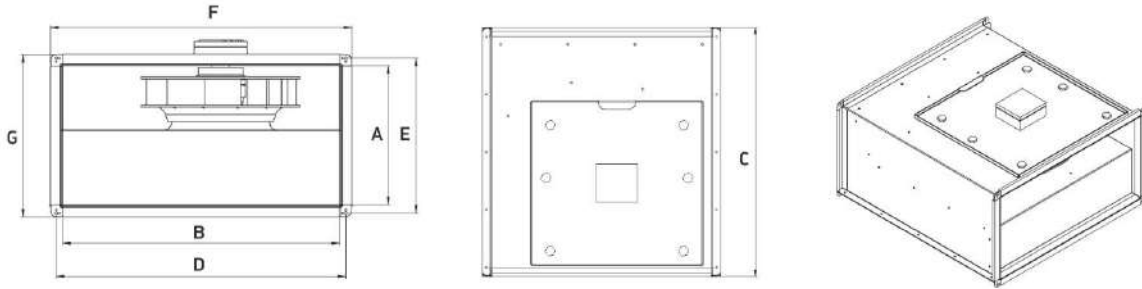
DTDF are duct fans that work silently thanks to their aerodynamic structure, they have the feature of easy cleaning and maintenance by opening the cover without being removed from the place of installation. It does not take up space as it can be mounted between the ducts and is designed to meet medium and high volume ventilation needs.

PRODUCT CODE	FAN DIA.	MOTOR DETAILS			MAX. AIR FLOW	SOUND LEVEL	WEIGHT
		VOLTAGE	POWER	MOTOR SPEED			
	MM	V	W	RPM	M <sup>3</sup> /H	DB	KG
DTDF-M2-30x15	180	220	95	2.280	480	43	7
DTDF-M2-40x20A	250	220	104	2.645	950	48	12
DTDF-M2-40x20B	250	220	145	2.635	1.150	48	13
DTDF-M2-50x25	280	220	210	2.660	1.610	58	16
DTDF-M4-60x30	315	220	135	1.400	1.850	50	26
DTDF-M4-60x35A	355	220	260	1.350	2.800	53	29
DTDF-M4-60x35B	355	220	430	1.380	3.400	53	30
DTDF-M4-70x40A	400	220	600	1.340	4.500	56	43
DTDF-M4-70x40B	450	220	600	1.340	5.900	56	45
DTDF-M4-80x50	500	220	600	1.340	7.550	64	70
DTDF-T4-100x50	560	380	1100	1.400	9.600	66	78

## Capacity Table

Type	Air Flow (m <sup>3</sup> /h)							
	100 Pa	200 Pa	300 Pa	400 Pa	500 Pa	600 Pa	700 Pa	800 Pa
DTDF-M2-30x15	400	275	150					
DTDF-M2-40x20A	840	700	530	360	120			
DTDF-M2-40x20B	975	825	650	460	275	50		
DTDF-M2-50x25	1.465	1.220	1.100	910	675	500	100	
DTDF-M4-60x30	1.450	975	400					
DTDF-M4-60x35A	2.400	1.800	1.200	400				
DTDF-M4-60x35B	2.800	2.250	1.550	875	20			
DTDF-M4-70x40A	3.800	3.200	2.400	1.600	500			
DTDF-M4-70x40B	5.300	4.750	4.000	3.200	2.250	1.000		
DTDF-M4-80x50	6.900	6.150	5.400	4.500	3.600	2.700	1.800	600
DTDF-T4-100x50	8.900	8.250	7.500	6.600	5.300	4.900	3.750	2.250

## Dimensions



Type	Dimensions (mm)				
	A	B	C	F	G
DTDF-M2-30x15	150	300	400	350	200
DTDF-M2-40x20A	200	400	500	450	250
DTDF-M2-40x20B	200	400	500	450	250
DTDF-M2-50x25	250	500	565	550	300
DTDF-M4-60x30	300	600	650	650	350
DTDF-M4-60x35A	350	600	760	650	400
DTDF-M4-60x35B	350	600	760	650	400
DTDF-M4-70x40A	400	700	800	750	450
DTDF-M4-70x40B	400	700	800	750	450
DTDF-M4-80x50	500	800	920	850	560
DTDF-T4-100x50	500	1000	1050	1060	560

# Duct Fans

## DTDR



### RECTANGULAR SECTION DUCT FAN WITH CURVED BACK EXTERNAL MOTOR WITH SQUARE BLADES

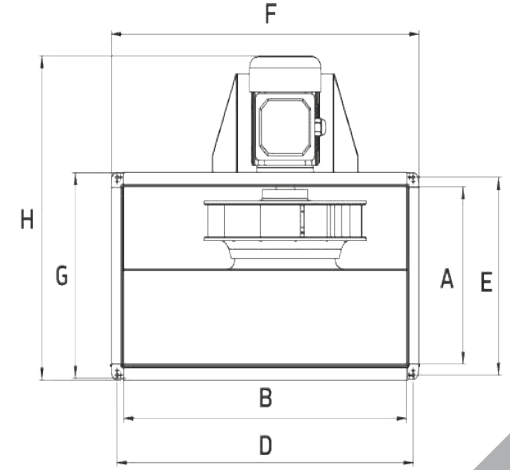
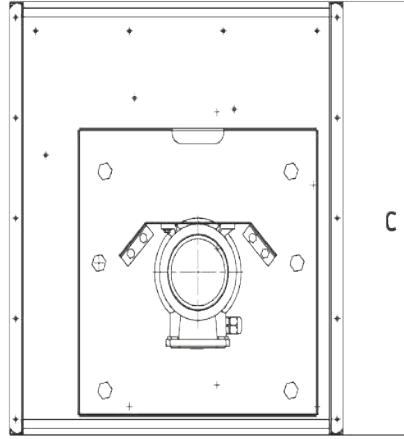
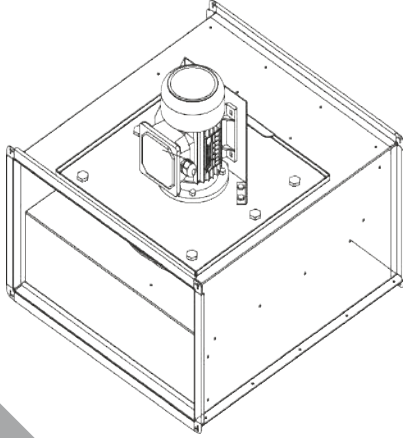
DTDR are duct fans that work silently thanks to their aerodynamic structure, they can be easily cleaned and maintained by opening the cover without being disassembled from where they are mounted. It does not take up space as it can be mounted between ducts, it is designed to meet medium and high volume ventilation needs in duct systems where the application area is limited.

PRODUCT CODE	FAN DIA.	MOTOR DETAILS			MAX. AIR FLOW	SOUND LEVEL	WEIGHT
		VOLTAGE	POWER	MOTOR SPEED			
	MM	V	KW	RPM	M <sup>3</sup> /H	DB	KG
DTDR-T4-0,25	315	380	0,25	1.440	3.000	53	40
DTDR-T4-0,37	355	380	0,37	1.420	3.500	58	45
DTDR-T4-0,55	400	380	0,55	1.470	4.700	56	48
DTDR-T4-1,10	450	380	1,10	1.450	6.000	58	51
DTDR-T4-1,50	500	380	1,50	1.400	8.400	64	77
DTDR-T4-2,20	560	380	2,20	1.400	10.500	66	90

Type	Air Flow (m3/h)						
	0 Pa	100 Pa	200 Pa	300 Pa	400 Pa	500 Pa	600 Pa
DTDR-T4-0,25	3.000	2.400	1.800	1.200	400		
DTDR-T4-0,37	3.500	2.800	2.250	1.550	875	20	
DTDR-T4-0,55	4.700	3.800	3.200	2.400	1.600	500	
DTDR-T4-1,10	6.000	5.300	4.750	4.000	3.200	2.250	1.000
DTDR-T4-1,50	8.400	6.900	6.150	5.400	4.500	3.600	2.700
DTDR-T4-2,20	10.500	8.900	8.250	7.500	6.600	5.300	4.900



# Duct Fans

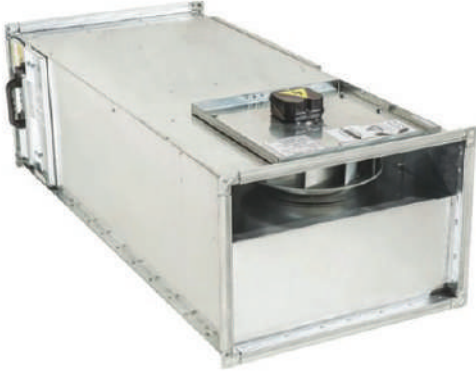


## Dimensions

Type	Dimensions (mm)					
	A	B	C	F	G	H
DTDR-T4-0,25	350	600	760	650	400	550
DTDR-T4-0,37	350	600	760	650	400	550
DTDR-T4-0,55	400	700	800	750	450	630
DTDR-T4-1,10	400	700	800	750	450	630
DTDR-T4-1,50	500	800	920	850	560	780
DTDR-T4-2,20	500	1.000	1.050	1.060	560	780

# Duct Fans

## DFKC

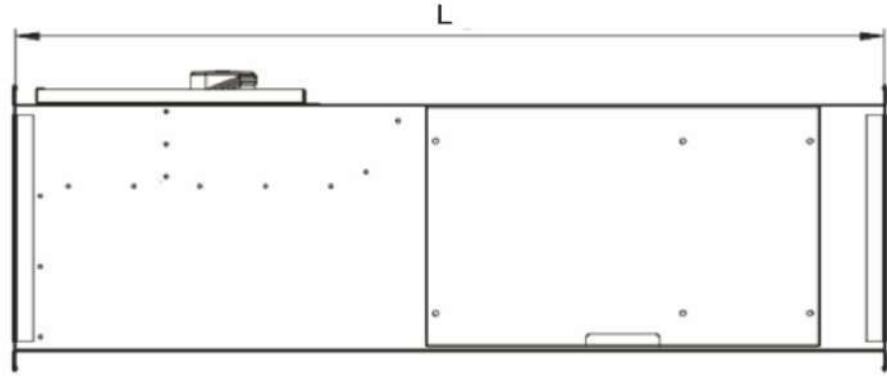
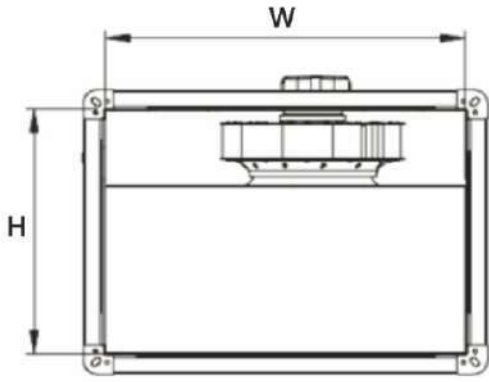


### FRESH AIR DEVICE WITH OUTER MOTOR, DIRECTLY COUPLED, PLUG FAN, DUCT TYPE FILTER

DFKC filtered shelter fans are used to supply fresh air. It can be used in two different positions thanks to the by-pass cell. Normally, the air is sent indoors only by passing through the G4 Filter. When we want the air to be cleaned, it is passed through the G4 cassette filter, active carbon cassette filter and M6 cassette filter, which is more sensitive than the coarse filter, and sent indoors. By-pass air dams are made with a sliding system.

PRODUCT CODE	FAN DIA.	FILTERS			MOTOR DETAILS			MAX. AIR FLOW	SOUND LEVEL	WEIGHT
					VOLTAGE	POWER	MOTOR SPEED			
	MM	FIBER	CARBON	PRECISION	V	W	RPM	M <sup>3</sup> /H	DB	KG
DFKC-M2-500	250	G4	AC-100	M6	220	104	2.800	500	48	24
DFKC-M2-1000	280	G4	AC-100	M6	220	130	2.800	1.000	50	35
DFKC-M2-2000	315	G4	AC-100	M6	220	180	2.800	2.000	53	45
DFKC-M4-3000	355	G4	AC-100	M6	220	210	1.400	3.000	45	63

## Duct Fans



## Dimensions

Type	Dimensions (mm)		
	L	W	H
DFKC-M2-500	800	400	200
DFKC-M2-1000	1.000	500	250
DFKC-M2-2000	1.100	600	300
DFKC-M4-3000	1.250	700	400

# Duct Fans

## DSTH

### OUTER ROTOR MOTOR DIRECT COUPLED, PLUG FAN, DUCT TYPE SHELTER FRESH AIR DEVICE



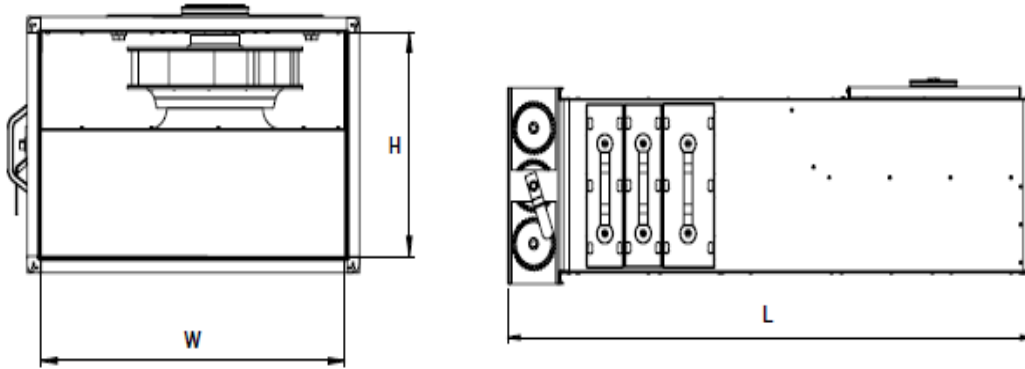
DSTH duct type shelter ventilation fans are used to supply the fresh air needed by the shelters. They can be used in two different locations, normal time and war time. In normal times, the air is sent indoors by only passing through the G4 filter. Sliding system bypass panel is used in our devices.

PRODUCT CODE	FAN DIA.	FILTERS			MOTOR DETAILS			MAX. AIR FLOW	SOUND LEVEL	WEIGHT
					VOLTAGE	POWER	MOTOR SPEED			
	MM	FIBER	CARBON	HEPA	V	W	RPM	M <sup>3</sup> /H	DB	KG
DSTH-M2-450	250	G4	AC-100	RADYOAKTİF	220	145	2.635	450	52	53
DSTH-M2-750	280	G4	AC-100	RADYOAKTİF	220	210	2.660	750	55	55
DSTH-M2-1200	280	G4	AC-100	RADYOAKTİF	220	210	2.660	1.200	60	108
DSTH-M2-2000	280	G4	AC-100	RADYOAKTİF	220	210	2.660	2.000	62	112
DSTH-T4-3000	500	G4	AC-100	RADYOAKTİF	380	1100	1.420	3.000	64	155
DSTH-T4-4500	560	G4	AC-100	RADYOAKTİF	380	1100	1.350	4.500	66	165

Type	Air Flow (m3/h)						
	0 Pa	100 Pa	200 Pa	300 Pa	400 Pa	500 Pa	600 Pa
DSTH-M2-450	3.000	2.400	1.800	1.200	400		
DSTH-M2-750	3.500	2.800	2.250	1.550	875	20	
DSTH-M2-1200	4.700	3.800	3.200	2.400	1.600	500	
DSTH-M2-2000	6.000	5.300	4.750	4.000	3.200	2.250	1.000
DSTH-T4-3000	8.400	6.900	6.150	5.400	4.500	3.600	2.700
DSTH-T4-4500	10.500	8.900	8.250	7.500	6.600	5.300	4.900

# Duct Fans

## Dimensions



Type	Dimensions (mm)		
	L	W	H
DSTH-M2-450	1.150	400	200
DSTH-M2-750	1.150	500	300
DSTH-M2-1200	1.330	600	350
DSTH-M2-2000	1.330	600	350
DSTH-T4-3000	1.600	800	500
DSTH-T4-4500	1.670	1.000	500

## Duct Fans



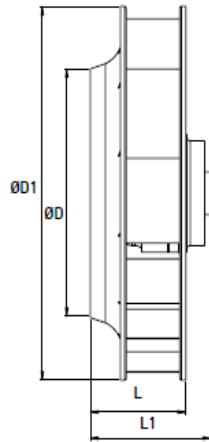
### DDRP

#### BACKWARD CURVED AND SPARSE BLADE EXTERNAL ROTOR MOTORIZED IMPELLER

With high efficiency, powerful air suction and low noise levels, these fans can compensate for pressure losses while providing laminar airflow.

PRODUCT CODE	FAN DIA.	MOTOR DETAILS			MAX. AIR FLOW	SOUND LEVEL	WEIGHT
		VOLTAGE	POWER	MOTOR SPEED			
		MM	V	W			
DDRP-250-M2	250	220	145	2.635	1.120	54	2,80
DDRP-280-M2	280	220	210	2.660	1.250	55	3,30
DDRP-315-M4	315	220	135	1.400	2.050	53	5,80
DDRP-355-M4	355	220	260	1.400	2.500	55	6,50
DDRP-400-M4	400	220	430	1.400	4.000	60	10,00
DDRP-450-M4	450	220	600	1.412	4.750	62	12,00
DDRP-500-T4	500	380	1100	1.420	8.200	64	17,00
DDRP-560-T4	560	380	1100	1.350	9.600	66	22,00

Type	Dimensions (mm)			
	D	D1	L	L1
DDRP-250-M2	173	252	69	92
DDRP-280-M2	190	281	75	111
DDRP-315-M4	209	316	141	168
DDRP-355-M4	243	356	113	172
DDRP-400-M4	284	404	160	201
DDRP-450-M4	295	455	177	217
DDRP-500-T4	354	505	220	260
DDRP-560-T4	395	565	242	280





**AXIAL FANS**

# Axial Fans

## EKAP

### ALUMINUM IMPELLER, DIRECTLY DRIVEN, TUBE AXIAL FAN



The impellers of EKAP axial tube fans, which can meet high air flow rates and high pressure losses, are made of aluminum raw material and they provide the chance to change the flow and pressure by adjusting the blade angles.

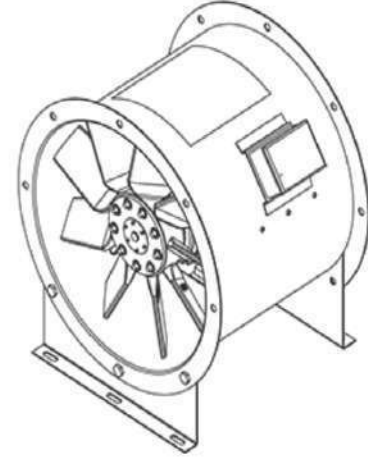
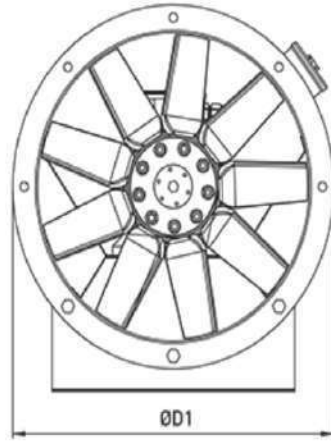
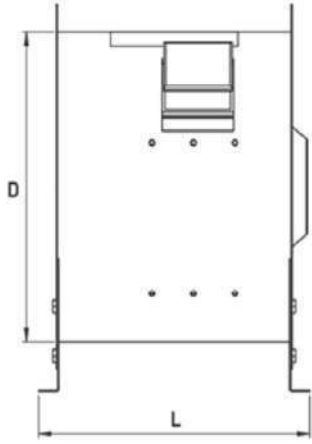
They can be produced with a motor that can withstand temperatures of 200, 300, 400 °C for 120 minutes upon request.

PRODUCT CODE	FAN DIA.	ELEKTRİK MOTORU			MAX. AIR FLOW	SOUND LEVEL
		VOLTAGE	POWER	MOTOR SPEED		
	MM	V	KW	RPM	M <sup>3</sup> /H	DB
EKAP-300-T4-0,37	270	380	0,37	1.380	3.000	56
EKAP-350-T4-0,37	320	380	0,37	1.380	3.500	58
EKAP-400-T4-0,37	370	380	0,37	1.380	4.500	60
EKAP-400-T4-0,55	370	380	0,55	1.380	5.000	62
EKAP-450-T4-0,37	420	380	0,37	1.380	6.000	60
EKAP-450-T4-0,55	420	380	0,55	1.380	6.500	62
EKAP-500-T4-0,55	570	380	0,55	1.380	8.000	66
EKAP-500-T4-0,75	570	380	0,75	1.380	9.500	68
EKAP-560-T4-0,75	530	380	0,75	1.380	9.600	63
EKAP-560-T4-1,10	530	380	1,10	1.410	12.000	68
EKAP-630-T4-1,10	600	380	1,10	1.410	12.250	70
EKAP-630-T4-1,50	600	380	1,50	1.430	14.500	71
EKAP-710-T4-1,50	680	380	1,50	1.430	16.000	71
EKAP-710-T4-3,00	680	380	3,00	1.435	22.000	73
EKAP-800-T4-3,00	770	380	3,00	1.435	23.500	76
EKAP-800-T4-5,50	770	380	5,50	1.455	34.000	78
EKAP-900-T4-4,00	870	380	4,00	1.455	27.500	79
EKAP-900-T4-7,50	870	380	7,50	1.465	40.000	82
EKAP-1000-T4-7,50	970	380	7,50	1.465	43.000	84
EKAP-1000-T4-11,0	970	380	11,00	1.470	53.000	86
EKAP-1100-T4-11,0	1070	380	11,00	1.470	65.000	86
EKAP-1100-T4-15,0	1070	380	15,00	1.470	77.000	87
EKAP-1200-T4-18,5	1170	380	18,50	1.470	95.000	88
EKAP-1200-T4-22,0	1170	380	22,00	1.470	100.000	94





## Dimensions



Type	Dimensions (mm)		
	D	D1	L
EKAP-300-T4-0,37	300	370	300
EKAP-350-T4-0,37	350	420	325
EKAP-400-T4-0,37	400	470	350
EKAP-400-T4-0,55	400	470	350
EKAP-450-T4-0,37	450	520	400
EKAP-450-T4-0,55	450	520	400
EKAP-500-T4-0,55	500	570	400
EKAP-500-T4-0,75	500	570	400
EKAP-560-T4-0,75	560	630	450
EKAP-560-T4-1,10	560	630	450
EKAP-630-T4-1,10	630	700	475
EKAP-630-T4-1,50	630	700	475

Type	Dimensions (mm)		
	D	D1	L
EKAP-710-T4-1,50	710	780	525
EKAP-710-T4-3,00	710	780	525
EKAP-800-T4-3,00	800	870	550
EKAP-800-T4-5,50	800	870	550
EKAP-900-T4-4,00	900	970	600
EKAP-900-T4-7,50	900	970	600
EKAP-1000-T4-7,50	1.000	1.100	600
EKAP-1000-T4-11,0	1.000	1.100	600
EKAP-1100-T4-11,0	1.100	1.200	700
EKAP-1100-T4-15,0	1.100	1.200	700
EKAP-1200-T4-18,5	1.200	1.300	750
EKAP-1200-T4-22,0	1.200	1.300	750

# Axial Fans

## EKPP

### PLASTIC IMPELLER, TUBE AXIAL FAN

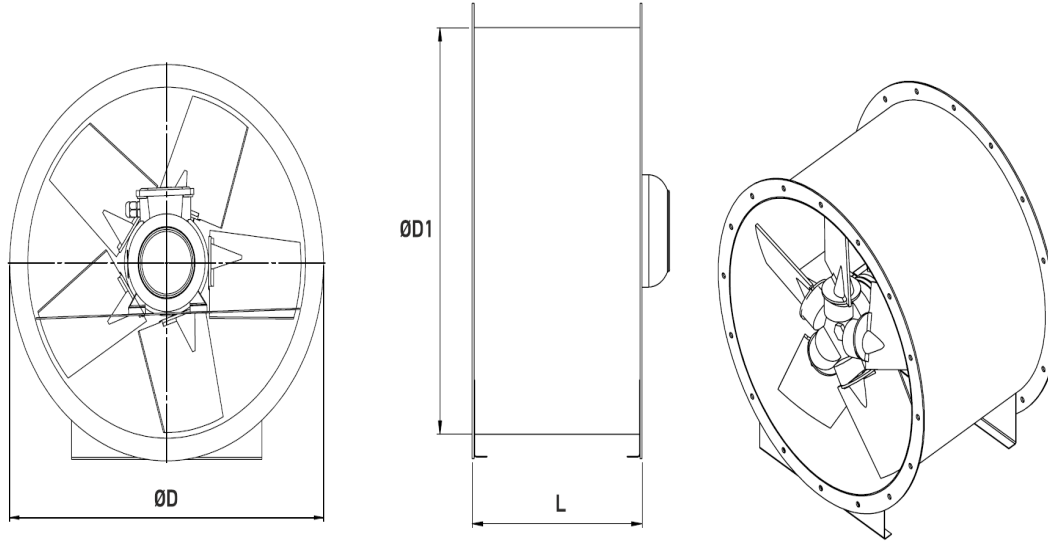


The impellers of EKPP tube axial fans, which can meet high air flow rates and high pressure losses, are made of PVC raw material and provide the opportunity to change the flow and pressure by adjusting the blade angles.

PRODUCT CODE	FAN DIA.	MOTOR DETAILS			MAX. AIR FLOW	SOUND LEVEL
		VOLTAGE	POWER	MOTOR SPEED		
	MM	V	KW	RPM	M <sup>3</sup> /H	DB
EKPP-300-T4-0,37	270	380	0,37	1.380	3.000	56
EKPP-350-T4-0,37	320	380	0,37	1.380	3.500	58
EKPP-400-T4-0,37	470	380	0,37	1.380	4.500	60
EKPP-400-T4-0,55	470	380	0,55	1.380	5.000	62
EKPP-450-T4-0,37	420	380	0,37	1.380	6.000	60
EKPP-450-T4-0,55	420	380	0,55	1.380	6.500	62
EKPP-500-T4-0,55	470	380	0,55	1.380	8.000	66
EKPP-500-T4-0,75	470	380	0,75	1.380	9.500	68
EKPP-560-T4-0,75	530	380	0,75	1.380	9.600	63
EKPP-560-T4-1,10	530	380	1,10	1.410	12.000	68
EKPP-630-T4-1,10	600	380	1,10	1.410	12.250	70
EKPP-630-T4-1,50	600	380	1,50	1.430	14.500	71
EKPP-710-T4-1,50	680	380	1,50	1.430	16.000	71
EKPP-710-T4-3,00	680	380	3,00	1.435	22.000	73
EKPP-800-T4-3,00	770	380	3,00	1.435	23.500	76
EKPP-800-T4-5,50	770	380	5,50	1.455	34.000	78
EKPP-900-T4-4,00	870	380	4,00	1.455	27.500	79
EKPP-900-T4-7,50	870	380	7,50	1.465	40.000	82
EKPP-1000-T4-7,50	970	380	7,50	1.465	43.000	84
EKPP-1000-T4-11,0	970	380	11,00	1.470	53.000	86
EKPP-1100-T4-11,0	1070	380	11,00	1.470	65.000	86
EKPP-1100-T4-15,0	1070	380	15,00	1.470	77.000	87
EKPP-1200-T4-18,5	1170	380	18,50	1.470	95.000	88
EKPP-1200-T4-22,0	1170	380	22,00	1.470	100.000	94



## Dimensions



Type	Dimensions (mm)		
	D	D1	L
EKPP-300-T4-0,37	300	370	300
EKPP-350-T4-0,37	350	420	325
EKPP-400-T4-0,37	400	470	350
EKPP-400-T4-0,55	400	470	350
EKPP-450-T4-0,37	450	520	400
EKPP-450-T4-0,55	450	520	400
EKPP-500-T4-0,55	500	570	400
EKPP-500-T4-0,75	500	570	400
EKPP-560-T4-0,75	560	630	450
EKPP-560-T4-1,10	560	630	450
EKPP-630-T4-1,10	630	700	475
EKPP-630-T4-1,50	630	700	475

Type	Dimensions (mm)		
	D	D1	L
EKPP-710-T4-1,50	710	780	525
EKPP-710-T4-3,00	710	780	525
EKPP-800-T4-3,00	800	870	550
EKPP-800-T4-5,50	800	870	550
EKPP-900-T4-4,00	900	970	600
EKPP-900-T4-7,50	900	970	600
EKPP-1000-T4-7,50	1.000	1.100	600
EKPP-1000-T4-11,0	1.000	1.100	600
EKPP-1100-T4-11,0	1.100	1.200	700
EKPP-1100-T4-15,0	1.100	1.200	700
EKPP-1200-T4-18,5	1.200	1.300	750
EKPP-1200-T4-22,0	1.200	1.300	750

# Axial Fans



## EKMP

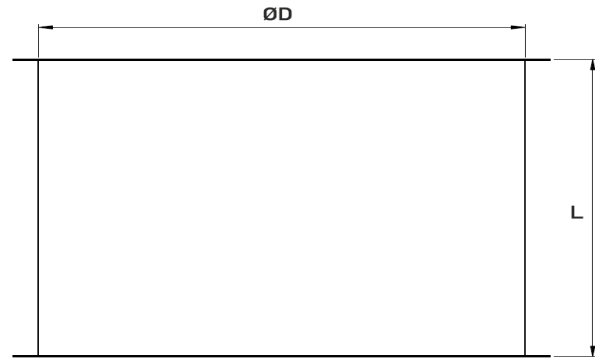
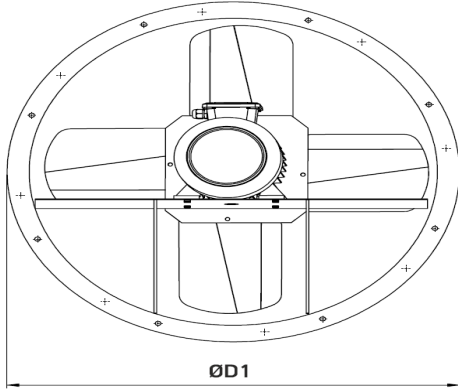
### 4 BLADED METAL IMPELLER AXIAL TUBE FAN

EKMP, provides high air flow rates and metal impellers. They can be produced as resistant to high temperatures according to demand.

PRODUCT CODE	FAN DIA.	MOTOR DETAILS			MAX. AIR FLOW
		VOLTAGE	POWER	MOTOR SPEED	
	MM	V	KW	RPM	M <sup>3</sup> /H
EKMP-300-T4-0,37	270	380	0,37	1.380	3.500
EKMP-350-T4-0,37	320	380	0,37	1.380	4.000
EKMP-400-T4-0,37	370	380	0,37	1.380	5.000
EKMP-450-T4-0,37	420	380	0,37	1.380	6.000
EKMP-500-T4-0,75	470	380	0,75	1.410	8.000
EKMP-560-T4-0,75	530	380	0,75	1.410	10.000
EKMP-630-T4-1,50	600	380	1,50	1.430	14.000
EKMP-710-T4-2,20	680	380	2,20	1.435	16.000
EKMP-800-T4-4,00	770	380	4,00	1.455	25.000
EKMP-900-T4-5,50	870	380	5,50	1.465	35.000
EKMP-1000-T4-5,50	970	380	5,50	960	40.000
EKMP-1100-T4-5,50	1070	380	5,50	960	45.000
EKMP-1200-T4-7,50	1170	380	7,50	960	50.000



## Dimensions



Type	Dimensions (mm)		
	D	D1	L
EKMP-300-T4-0,37	300	370	300
EKMP-350-T4-0,37	350	420	325
EKMP-400-T4-0,37	400	470	350
EKMP-450-T4-0,37	450	520	400
EKMP-500-T4-0,75	500	570	400
EKMP-560-T4-0,75	560	630	450
EKMP-630-T4-1,50	630	700	475
EKMP-710-T4-2,20	710	780	525
EKMP-800-T4-4,00	800	870	550
EKMP-900-T4-5,50	900	970	600
EKMP-1000-T4-5,50	1.000	1.100	600
EKMP-1100-T4-5,50	1.100	1.200	700
EKMP-1200-T4-7,50	1.200	1.300	750

# Axial Fans



## EDMP

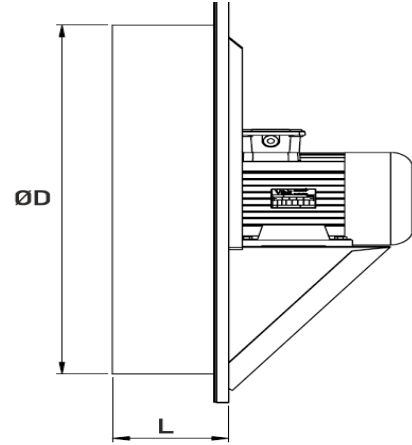
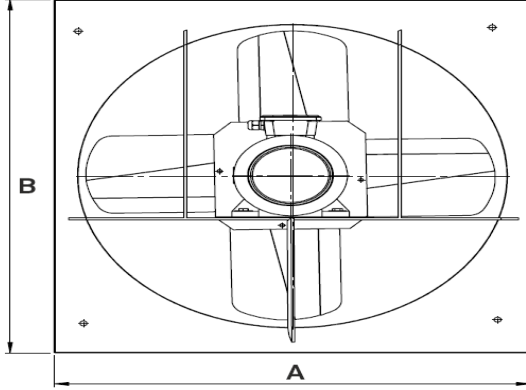
### 4-BLADE, METAL IMPELLER, SQUARE CASE AXIAL FAN

EDMP can be mounted on the wall and window, provide strong air flow with low noise.

PRODUCT CODE	FAN DIA.	MOTOR DETAILS			MAX. AIR FLOW
		VOLTAGE	POWER	MOTOR SPEED	
		MM	V	KW	
EDMP-300-T4-0,37	270	380	0,37	1.380	3.500
EDMP-350-T4-0,37	320	380	0,37	1.380	4.000
EDMP-400-T4-0,37	370	380	0,37	1.380	5.000
EDMP-450-T4-0,37	420	380	0,37	1.380	6.000
EDMP-500-T4-0,75	470	380	0,75	1.410	8.000
EDMP-550-T4-0,75	520	380	0,75	1.410	10.000
EDMP-600-T4-1,10	570	380	1,10	1.430	12.000
EDMP-650-T4-1,50	620	380	1,50	1.430	14.000
EDMP-700-T4-2,20	670	380	2,20	1.435	16.000
EDMP-750-T4-3,00	720	380	3,00	1.435	20.000
EDMP-800-T4-4,00	770	380	4,00	1.455	25.000
EDMP-900-T4-5,50	870	380	5,50	1.465	35.000
EDMP-1000-T6-5,50	970	380	5,50	960	40.000
EDMP-1100-T6-5,50	1070	380	5,50	960	45.000
EDMP-1200-T6-7,50	1170	380	7,50	960	50.000



## Dimensions



Type	Dimensions (mm)	
	AxB	D
EDMP-300-T4-0,37	450	300
EDMP-350-T4-0,37	500	350
EDMP-400-T4-0,37	550	400
EDMP-450-T4-0,37	600	450
EDMP-500-T4-0,75	650	500
EDMP-550-T4-0,75	700	550
EDMP-600-T4-1,10	750	600
EDMP-650-T4-1,50	800	650
EDMP-700-T4-2,20	850	700
EDMP-750-T4-3,00	900	750
EDMP-800-T4-4,00	950	800
EDMP-900-T4-5,50	1.050	900
EDMP-1000-T6-5,50	1.150	1.000
EDMP-1100-T6-5,50	1.250	1.100
EDMP-1200-T6-7,50	1.350	1.200

# Axial Fans

## EYMP



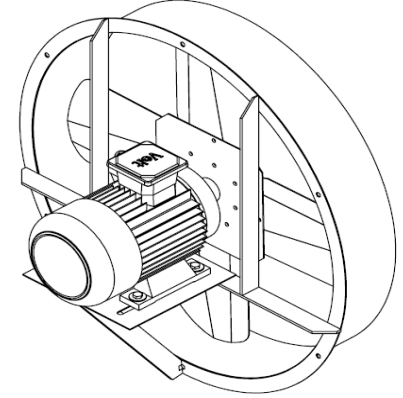
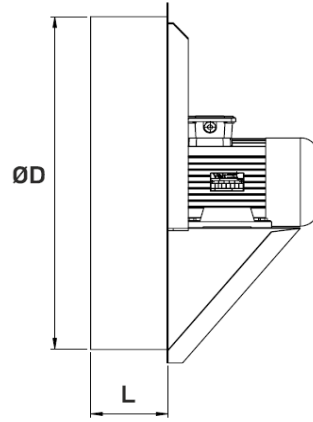
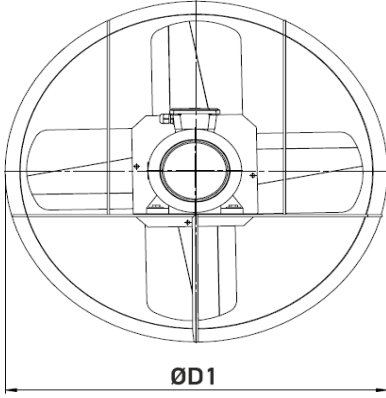
### 4-BLADE, METAL IMPELLER, AXIAL FAN

EYMP can be mounted on walls and windows, provide strong air flow, are economical fans with low noise level and high efficiency.

PRODUCT CODE	FAN DIA.	MOTOR DETAILS			MAX. AIR FLOW
		VOLTAGE	POWER	MOTOR SPEED	
	MM	V	KW	RPM	M <sup>3</sup> /H
EYMP-300-T4-0,37	270	380	0,37	1.380	3.500
EYMP-350-T4-0,37	320	380	0,37	1.380	4.000
EYMP-400-T4-0,37	370	380	0,37	1.380	5.000
EYMP-450-T4-0,37	420	380	0,37	1.380	6.000
EYMP-500-T4-0,75	470	380	0,75	1.410	8.000
EYMP-550-T4-0,75	520	380	0,75	1.410	10.000
EYMP-600-T4-1,10	570	380	1,10	1.430	12.000
EYMP-650-T4-1,50	620	380	1,50	1.430	14.000
EYMP-700-T4-2,20	670	380	2,20	1.435	16.000
EYMP-750-T4-3,00	720	380	3,00	1.435	20.000
EYMP-800-T4-4,00	770	380	4,00	1.455	25.000
EYMP-900-T4-5,50	870	380	5,50	1.465	35.000
EYMP-1000-T6-5,50	970	380	5,50	960	40.000
EYMP-1100-T6-5,50	1070	380	5,50	960	45.000
EYMP-1200-T6-7,50	1170	380	7,50	960	50.000



## Dimensions



Type	Dimensions (mm)		
	D	D1	L
EYMP-300-T4-0,37	300	370	-
EYMP-350-T4-0,37	350	420	-
EYMP-400-T4-0,37	400	470	-
EYMP-450-T4-0,37	450	520	-
EYMP-500-T4-0,75	500	570	-
EYMP-550-T4-0,75	550	620	-
EYMP-600-T4-1,10	600	670	-
EYMP-650-T4-1,50	650	720	-
EYMP-700-T4-2,20	700	770	-
EYMP-750-T4-3,00	750	820	-
EYMP-800-T4-4,00	800	870	-
EYMP-900-T4-5,50	900	970	-
EYMP-1000-T6-5,50	1.000	1.070	-
EYMP-1100-T6-5,50	1.100	1.170	-
EYMP-1200-T6-7,50	1.200	1.270	-

# Axial Fans



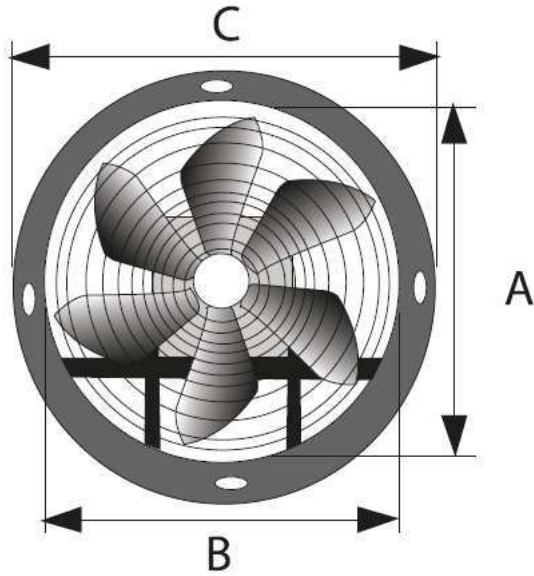
## EPAY

### WALL-WINDOWS TYPE, ROUND AXIAL FAN WITH EXTERNAL MOTOR

These fans, which are generally used in industry, can be produced up to 1250 diameter. It provides higher performance than other wall fans.

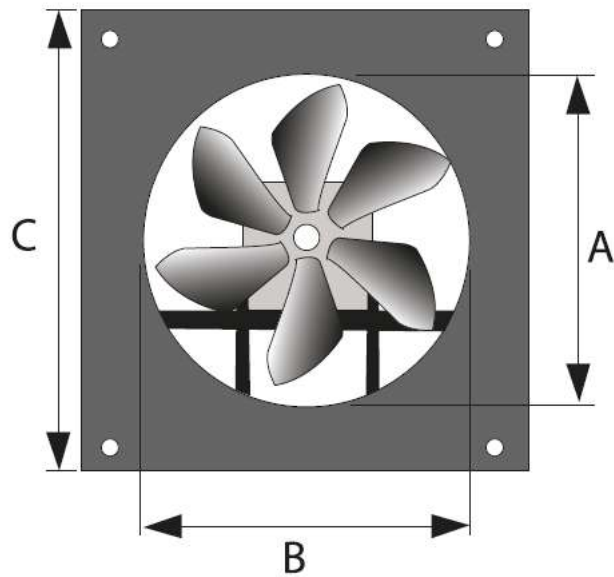
PRODUCT CODE	MOTOR DETAILS			MAX. AIR FLOW	SOUND LEVEL	WEIGHT
	VOLTAGE	POWER	MOTOR SPEED			
	V	KW	RPM			
EPAY-300-T4-0,37 (5/16)	380	0,37	1.400	3.000	54	8,50
EPAY-350-T4-0,37(5/16)	380	0,37	1.400	4.000	57	9,00
EPAY-400-T4-0,55(5/16)	380	0,55	1.400	5.000	60	10,40
EPAY-450-T4-0,55(5/16)	380	0,55	1.400	6.000	63	11,40
EPAY-500-T4-0,55(5/16)	380	0,55	1.400	7.500	61	13,60
EPAY-550-T4-0,75(5/16)	380	0,75	1.400	10.500	66	16,60
EPAY-600-T4-0,75(5/16)	380	0,75	1.400	11.500	68	20,50
EPAY-650-T4-1,10(5/16)	380	1,10	1.400	15.000	70	30,00
EPAY-700-T4-1,50(5/16)	380	1,50	1.400	18.500	75	33,00
EPAY-750-T4-2,20(5/16)	380	2,20	1.400	22.500	80	48,00
EPAY-800-T4-2,20(6/20)	380	2,20	1.400	28.500	81	52,00
EPAY-900-T4-3,00(5/35)	380	3,00	1.400	37.000	82	61,00
EPAY-1000-T4-5,50(6/35)	380	5,50	1.400	46.000	85	90,00
EPAY-1120-T4-7,50(6/35)	380	7,50	1.400	60.000	86	110,00
EPAY-1250-T4-7,50(6/35)	380	7,50	900	80.000	90	130,00
EPAY-300-M4-0,37(5/16)	220	0,37	1.400	3.000	54	8,50
EPAY-350-M4-0,37(5/16)	220	0,37	1.400	4.000	57	9,00
EPAY-400-M4-0,55(5/16)	220	0,55	1.400	5.000	60	10,40
EPAY-450-M4-0,55(5/16)	220	0,55	1.400	6.000	63	11,40
EPAY-500-M4-0,55(5/16)	220	0,55	1.400	7.500	61	13,60
EPAY-550-M4-0,75(5/16)	220	0,75	1.400	10.500	66	16,60
EPAY-600-M4-0,75(5/16)	220	0,75	1.400	11.500	68	20,50
EPAY-650-M4-1,10(5/16)	220	1,10	1.400	15.000	70	30,00
EPAY-700-M4-1,50(5/16)	220	1,50	1.400	18.500	75	33,00
EPAY-750-M4-2,20(5/16)	220	2,20	1.400	22.500	80	48,00
EPAY-800-M4-2,20(6/20)	220	2,20	1.400	28.500	81	52,00
EPAY-900-M4-3,00(5/35)	220	3,00	1.400	37.000	82	61,00

## Dimensions



	A	B	C
EPAY 300	280	325	385
EPAY 350	330	375	435
EPAY 400	380	405	465
EPAY 450	430	455	515
EPAY 500	480	505	565
EPAY 550	550	580	640
EPAY 600	580	605	665
EPAY 650	650	680	740
EPAY 700	700	730	790
EPAY 750	750	780	840
EPAY 800	800	830	890
EPAY 900	900	930	990
EPAY 1000	1000	1030	1090
EPAY 1120	1120	1150	1210
EPAY 1250	1250	1280	1340

	A	B	C
EPAK 300	280	325	400
EPAK 350	330	375	450
EPAK 400	380	405	500
EPAK 450	430	455	550
EPAK 500	480	505	600
EPAK 550	550	580	650
EPAK 600	580	605	700
EPAK 650	650	680	800
EPAK 700	700	730	850
EPAK 750	750	780	900
EPAK 800	800	830	950
EPAK 900	900	930	1100
EPAK 1000	1000	1030	1200
EPAK 1120	1120	1150	1320
EPAK 1250	1250	1280	1450



# Axial Fans



## EPAK

### 6-BLADE SQUARE CASE AXIAL FAN WITH EXTERNAL MOTOR

These fans, which are generally used in industry, can be produced up to 1250 diameter. It provides higher performance than other wall fans.

PRODUCT CODE	MOTOR DETAILS			MAX. AIR FLOW	SOUND LEVEL	WEIGHT
	VOLTAGE	POWER	MOTOR SPEED			
	V	KW	RPM			
EPAK-300-T4-0,37(5/16)	380	0,37	1.400	3.000	54	8,50
EPAK-350-T4-0,37(5/16)	380	0,37	1.400	4.000	57	9,00
EPAK-400-T4-0,55(5/16)	380	0,55	1.400	5.000	60	10,40
EPAK-450-T4-0,55(5/16)	380	0,55	1.400	6.000	63	11,40
EPAK-500-T4-0,55(5/16)	380	0,55	1.400	7.500	61	13,60
EPAK-550-T4-0,75(5/16)	380	0,75	1.400	10.500	66	16,60
EPAK-600-T4-0,75(5/16)	380	0,75	1.400	11.500	68	20,50
EPAK-650-T4-1,10(5/16)	380	1,10	1.400	15.000	70	30,00
EPAK-700-T4-1,50(5/16)	380	1,50	1.400	18.500	75	33,00
EPAK-750-T4-2,20(5/16)	380	2,20	1.400	22.500	80	48,00
EPAK-800-T4-2,20(6/20)	380	2,20	1.400	28.500	81	52,00
EPAK-900-T4-3,00(5/35)	380	3,00	1.400	37.000	82	61,00
EPAK-1000-T4-5,50(6/35)	380	5,50	1.400	46.000	85	90,00
EPAK-1120-T4-7,50(6/35)	380	7,50	1.400	60.000	86	110,00
EPAK-1250-T4-7,50(6/35)	380	7,50	900	80.000	90	130,00
EPAK-300-M4-0,37(5/16)	220	0,37	1.400	3.000	54	8,50
EPAK-350-M4-0,37(5/16)	220	0,37	1.400	4.000	57	9,00
EPAK-400-M4-0,55(5/16)	220	0,55	1.400	5.000	60	10,40
EPAK-450-M4-0,55(5/16)	220	0,55	1.400	6.000	63	11,40
EPAK-500-M4-0,55(5/16)	220	0,55	1.400	7.500	61	13,60
EPAK-550-M4-0,75(5/16)	220	0,75	1.400	10.500	66	16,60
EPAK-600-M4-0,75(5/16)	220	0,75	1.400	11.500	68	20,50
EPAK-650-M4-1,10(5/16)	220	1,10	1.400	15.000	70	30,00
EPAK-700-M4-1,50(5/16)	220	1,50	1.400	18.500	75	33,00
EPAK-750-M4-2,20(5/16)	220	2,20	1.400	22.500	80	48,00
EPAK-800-M4-2,20(6/20)	220	2,20	1.400	28.500	81	52,00
EPAK-900-M4-3,00(5/35)	220	3,00	1.400	37.000	82	61,00



# Axial Fans

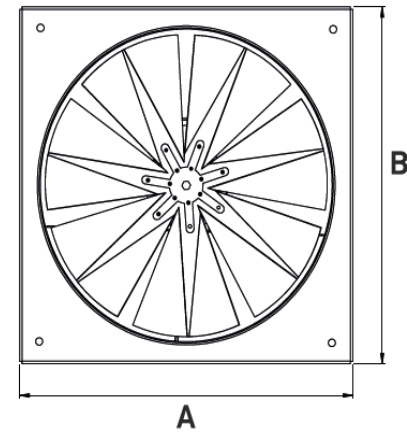


## EDYP

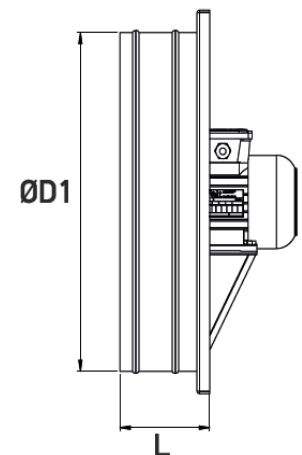
### SQUARE CASE, 7 BLADES, METAL IMPELLER, AXIAL FAN

EDYP can be mounted on the wall and windows. It provides strong air flow.

PRODUCT CODE	FAN DIA.	MOTOR DETAILS			MAX.AIR FLOW
		VOLTAGE	POWER	MOTOR SPEED	
	MM	V	KW	RPM	M <sup>3</sup> /H
EDYP-300-T4-0,25	270	380	0,25	1.350	2.500
EDYP-350-T4-0,25	320	380	0,25	1.350	3.000
EDYP-400-T4-0,25	370	380	0,25	1.350	3.500
EDYP-450-T4-0,37	420	380	0,37	1.380	4.000
EDYP-500-T4-0,37	470	380	0,37	1.380	6.000
EDYP-550-T4-0,75	520	380	0,75	1.410	7.500
EDYP-600-T4-0,75	570	380	0,75	1.410	9.500
EDYP-650-T4-1,10	620	380	1,10	1.430	11.000
EDYP-700-T4-1,50	670	380	1,50	1.430	12.000
EDYP-750-T4-2,20	720	380	2,20	1.435	14.000
EDYP-800-T4-3,00	770	380	3,00	1.435	18.000



Type	Dimensions (mm)		
	A	B	D1
EDYP-300-T4-0,25	450	450	300
EDYP-350-T4-0,25	500	500	350
EDYP-400-T4-0,25	550	550	400
EDYP-450-T4-0,37	600	600	450
EDYP-500-T4-0,37	650	650	500
EDYP-550-T4-0,75	700	700	550
EDYP-600-T4-0,75	750	750	600
EDYP-650-T4-1,10	800	800	650
EDYP-700-T4-1,50	850	850	700
EDYP-750-T4-2,20	900	900	750
EDYP-800-T4-3,00	950	950	800



# Axial Fans

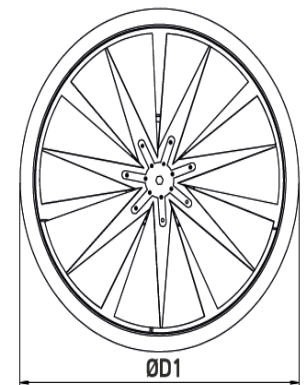


## EYPP

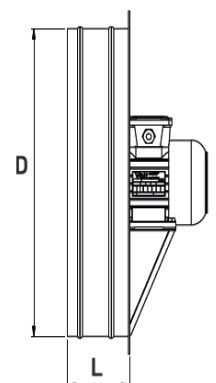
### SQUARE CASE, 7 BLADES, METAL IMPELLER, AXIAL FAN

EDYP can be mounted on the wall and windows. It provides strong air flow

PRODUCT CODE	FAN DIA.	MOTOR DETAILS			MAX. AIR FLOW
		VOLTAGE	POWER	MOTOR SPEED	
	MM	V	KW	RPM	M <sup>3</sup> /H
EYYP-300-T4-0,25	270	380	0,25	1.350	2.500
EYYP-350-T4-0,25	320	380	0,25	1.350	3.000
EYYP-400-T4-0,25	370	380	0,25	1.350	3.500
EYYP-450-T4-0,37	420	380	0,37	1.380	4.000
EYYP-500-T4-0,37	470	380	0,37	1.380	6.000
EYYP-550-T4-0,75	520	380	0,75	1.410	7.500
EYYP-600-T4-0,75	570	380	0,75	1.410	9.500
EYYP-650-T4-1,10	620	380	1,10	1.430	11.000
EYYP-700-T4-1,50	670	380	1,50	1.430	12.000
EYYP-750-T4-2,20	720	380	2,20	1.435	14.000
EYYP-800-T4-3,00	770	380	3,00	1.435	18.000



Type	Dimensions (mm)		
	D	D1	L
EYYP-300-T4-0,25	300	370	-
EYYP-350-T4-0,25	350	420	-
EYYP-400-T4-0,25	400	470	-
EYYP-450-T4-0,37	450	520	-
EYYP-500-T4-0,37	500	570	-
EYYP-550-T4-0,75	550	620	-
EYYP-600-T4-0,75	600	670	-
EYYP-650-T4-1,10	650	720	-
EYYP-700-T4-1,50	700	770	-
EYYP-750-T4-2,20	750	820	-
EYYP-800-T4-3,00	800	870	-



# Axial Fans

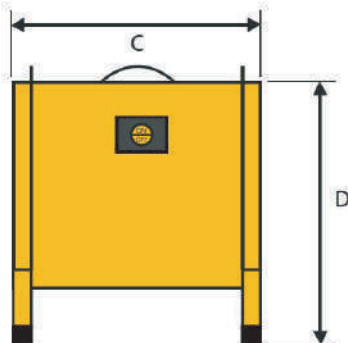
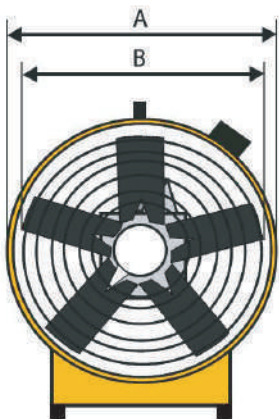


## EKMM

### Mobile Axial Fan

Portable Axial Fan with Metal Impeller

PRODUCT CODE	MOTOR DETAILS			MAX. AIR FLOW
	VOLTAGE	POWER	MOTOR SPEED	
	V	W	RPM	M <sup>3</sup> /H
EKMM-300-M2	220	170	2.800	2.500
EKMM-350-M2	220	200	2.800	3.750
EKMM-400-M2	220	220	2.800	5.000
EKMM-450-M2	220	240	2.800	6.000
EKMM-500-M2	220	280	2.800	7.000
EKMM-550-M4	220	300	1.400	8.000
EKMM-600-M4	220	320	1.400	10.000



	A Ø	B Ø	C	D
EKMM 300	300	280	350	400
EKMM 350	350	320	400	450
EKMM 400	400	360	400	500
EKMM 450	450	400	450	550
EKMM 500	500	440	450	600
EKMM 550	550	480	480	650
EKMM 600	600	550	480	700

# Axial Fans



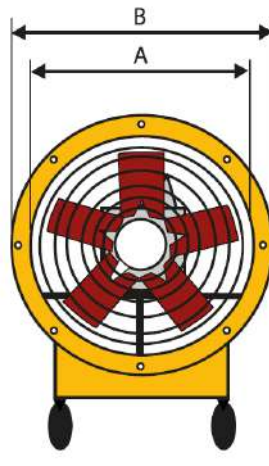
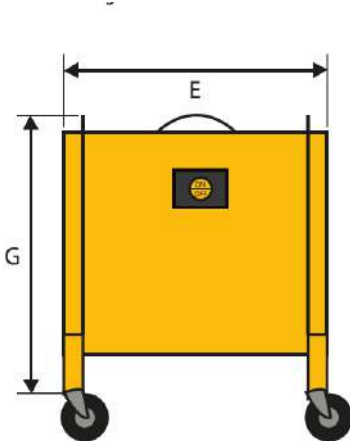
## EKMS

### Mobile Axial Fan

Axial Mobile Fan with Metal Impeller and Wheels



PRODUCT CODE	MOTOR DETAILS			MAX. AIR FLOW
	VOLTAGE	POWER	MOTOR SPEED	
	V	W	RPM	M <sup>3</sup> /H
EKMS-300-M2	220	190	2.800	3.000
EKMS-350-M2	220	220	2.800	4.250
EKMS-400-M2	220	300	2.800	5.000
EKMS-450-M2	220	320	2.800	6.000
EKMS-500-M2	220	360	2.800	8.000
EKMS-550-M4	220	370	1.400	10.000
EKMS-600-M4	220	390	1.400	12.000
EKMS-700-M4	220	450	1.400	18.000
EKMS-800-M4	220	500	1.400	25.000



	A Ø	B Ø	D	G	E
EKMS 35	412	350	300	460	580
EKMS 40	462	400	340	510	630
EKMS 45	512	450	370	560	630
EKMS 50	562	500	420	620	630
EKMS 55	612	550	460	670	730
EKMS 60	682	620	500	740	730
EKMS 70	762	700	560	820	805
EKMS 80	852	790	620	910	930



# Axial Fans

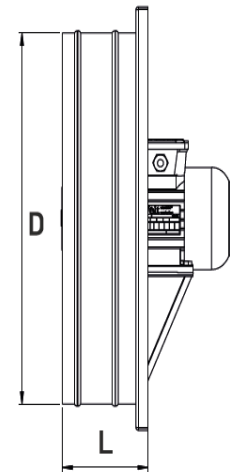


## EKDR

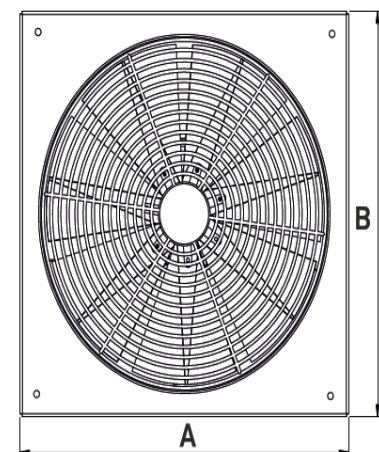
### SQUARE CASE WITH OUTER ROTOR AND DIRECT DRIVEN, IMPELLER PROTECTION

EKDR can be mounted on walls and windows, provide strong airflow. They are economical fans with low sound levels and high efficiency.

PRODUCT CODE	FAN DIA.	MOTOR DETAILS			MAX. AIR FLOW
		VOLTAGE	POWER	MOTOR SPEED	
	MM	V	W	RPM	M <sup>3</sup> /H
EKDR-200-M2	180	220	95	2.880	1.200
EKDR-250-M2	230	220	104	2.645	1.800
EKDR-300-M2	280	220	145	2.635	2.900
EKDR-350-M2	330	220	200	2.600	4.500
EKDR-400-M2	380	220	210	2.660	5.600



Type	Dimensions (mm)			
	A	B	C	D
EKDR-200-M2	300	95	200	189
EKDR-250-M2	350	95	250	238
EKDR-300-M2	400	95	300	288
EKDR-350-M2	450	100	350	338
EKDR-400-M2	500	100	400	388



# Axial Fan



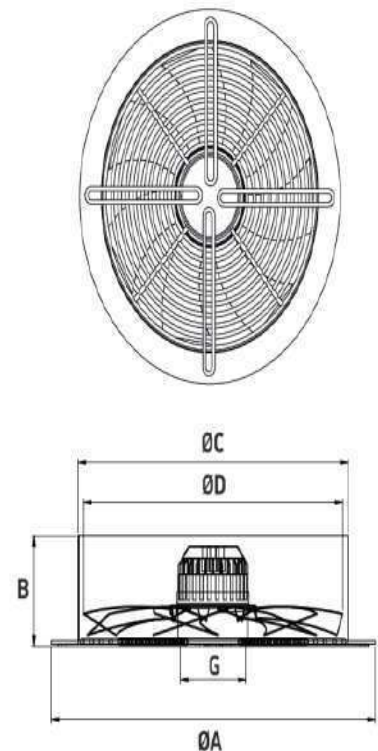
## EYDR

### OUTER ROTOR, METAL IMPELLER, AXIAL FAN

EYDR can be mounted on the wall and window, provide strong air flow, are economical fans with low noise level and high efficiency.

PRODUCT CODE	FAN DIA.	MOTOR DETAILS			MAX AIR FLOW
		VOLTAGE	POWER	MOTOR SPEED	
	MM	V	W	RPM	M <sup>3</sup> /H
EYDR-200-M2	180	220	95	2.880	1.200
EYDR-250-M2	230	220	104	2.645	1.800
EYDR-300-M2	280	220	145	2.635	2.900
EYDR-350-M2	320	220	200	2.600	4.500
EYDR-400-M2	380	220	210	2.660	5.600

Type	Dimensions (mm)			
	A	B	C	D
EYDR-200-M2	284	95	200	189
EYDR-250-M2	335	95	250	238
EYDR-300-M2	390	95	300	288
EYDR-350-M2	427	100	350	338
EYDR-400-M2	490	100	400	388



# Axial Fans

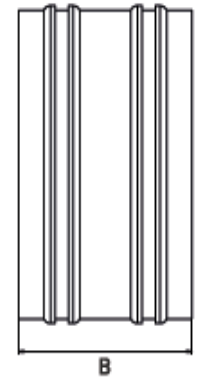


## EYBT

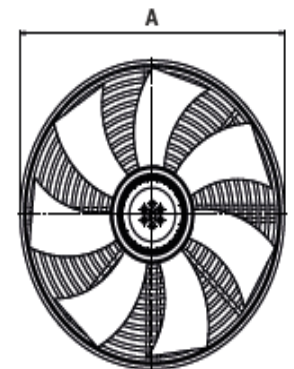
### OUTER ROTOR MOTOR, METAL , CIRCULAR CASE, PIPE TYPE FAN

EYBT can be mounted between the ducts, provide strong air induction. They are economy fans with low sound levels and high efficiency.

PRODUCT CODE	FAN DIA.	MOTOR DETAILS			MAX. AIR FLOW
		VOLTAGE	POWER	MOTOR SPEED	
	MM	V	W	RPM	M <sup>3</sup> /H
EYBT-200-M2	180	220	95	2.880	1.200
EYBT-250-M2	230	220	104	2.645	1.800
EYBT-300-M2	280	220	145	2.635	2.900
EYBT-350-M2	330	220	200	2.600	4.500
EYBT-400-M2	380	220	210	2.660	5.600



Type	Dimensions (mm)	
	A	B
EYBT-200-M2	200	235
EYBT-250-M2	250	235
EYBT-300-M2	300	235
EYBT-350-M2	350	235
EYBT-400-M2	400	235



# Axial Fans



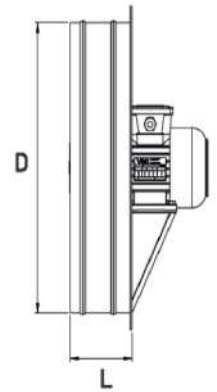
## EYST

### ROUND AXIAL FAN

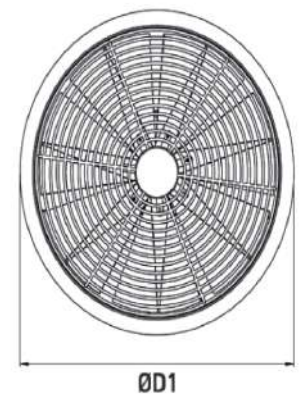
EYST / EYSM can be easily mounted on the wall and window, it reaches high air flow rates at minimum sound levels.

EYST / EYSM is used for ventilation of factories, warehouses, paint shops, workshops, etc.

PRODUCT CODE	FAN DIA.	MOTOR DETAILS			MAX. AIR FLOW
		VOLTAGE	POWER	MOTOR SPEED	
	MM	V	W	RPM	M <sup>3</sup> /H
EYST-250-M4	230	220	120	1.400	1.400
EYST-250-M2	230	220	180	2.800	2.200
EYST-300-M4	270	220	130	1.400	3.350
EYST-350-M4	320	220	160	1.400	4.550
EYST-400-M4	370	220	200	1.400	5.300
EYST-450-M4	420	220	220	1.400	6.900
EYST-500-M4	470	220	230	1.400	7.200
EYST-600-M4	570	220	560	1.400	8.500



Type	Dimensions (mm)		
	D	D1	L
EYST-250-M4	251	304	114
EYST-250-M2	251	304	114
EYST-300-M4	325	390	114
EYST-350-M4	374	435	114
EYST-400-M4	427	485	114
EYST-450-M4	470	546	114
EYST-500-M4	518	590	125
EYST-600-M4	610	674	130



# Axial Fans

## EDST

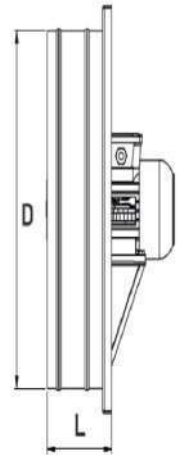
### SQUARE CASE AXIAL FAN



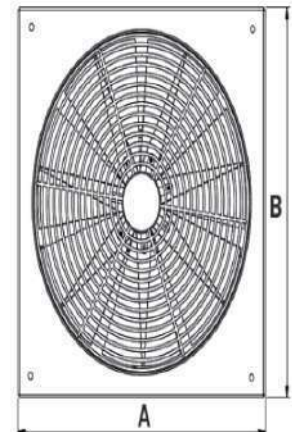
EDST / EDSM can be easily mounted on windows and walls, reaches high airflows at minimum sound level,

EDST / EDSM is used for ventilation of places such as factories, warehouses, shops, manufacturing shops, etc.

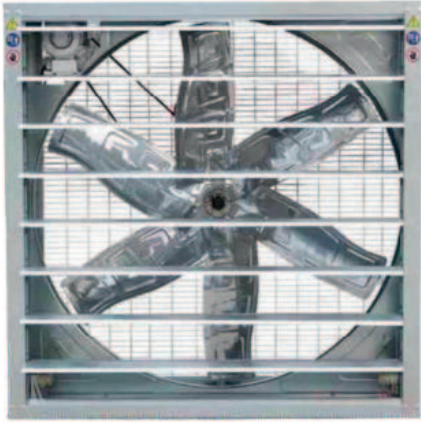
PRODUCT CODE	FAN DIA.	MOTOR DETAILS			MAX. AIR FLOW
		VOLTAGE	POWER	MOTOR SPEED	
	MM	V	W	RPM	M <sup>3</sup> /H
EDST-250-M4	230	220	120	1.400	1.400
EDST-250-M2	230	220	180	2.800	2.200
EDST-300-M4	270	220	130	1.400	3.350
EDST-350-M4	320	220	160	1.400	4.550
EDST-400-M4	370	220	200	1.400	5.300
EDST-450-M4	420	220	220	1.400	6.900
EDST-500-M4	470	220	230	1.400	7.200
EDST-600-M4	570	220	560	1.400	8.500



Type	Dimensions (mm)		
	AxB	D	L
EDST-250-M4	350	261	80
EDST-250-M2	350	261	80
EDST-300-M4	400	307	80
EDST-350-M4	450	365	90
EDST-400-M4	500	403	100
EDST-450-M4	550	462	105
EDST-500-M4	600	513	110
EDST-600-M4	720	612	145



# Axial Fans

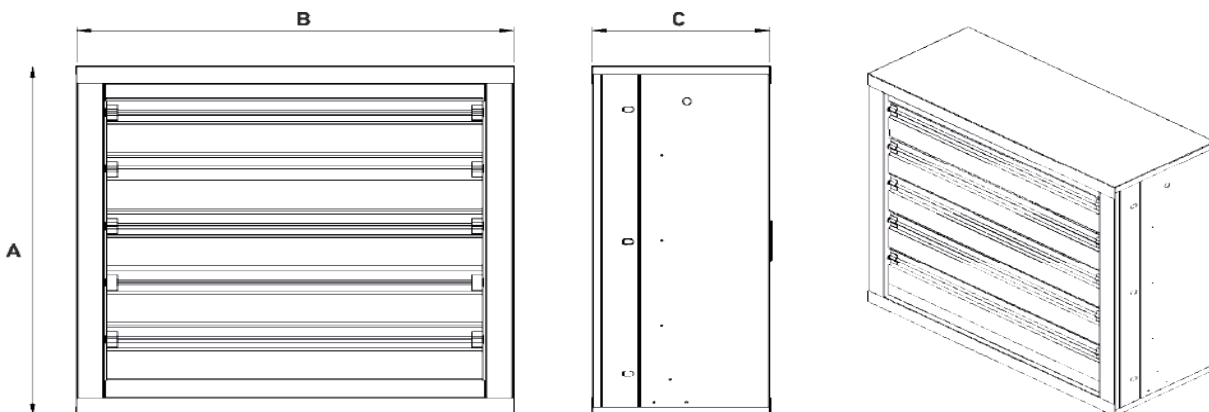


## ETKF

### Greenhouse Fan

Fan louver sets can be easily disassembled and assembled. In this way, it also facilitates cleaning inside the fan. All fan bodies are manufactured from galvanized steel sheet. It offers three different options for fan blades: aluminum, galvanized and stainless steel. All types of blades have a special curve to increase the force and efficiency.

PRODUCT CODE	MOTOR DETAILS			MAX. AIR FLOW
	VOLTAGE	POWER	MOTOR SPEED	
	V	W	RPM	M <sup>3</sup> /H
ETKF-1000-T4	380	750	1.400	21.000
ETKF-1400-T4	380	1100	1.400	44.000



Type	Dimensions (mm)		
	A	B	C
ETKF-1000-T4	1.000	1.000	400
ETKF-1400-T4	1.400	1.400	400

# Axial Fan

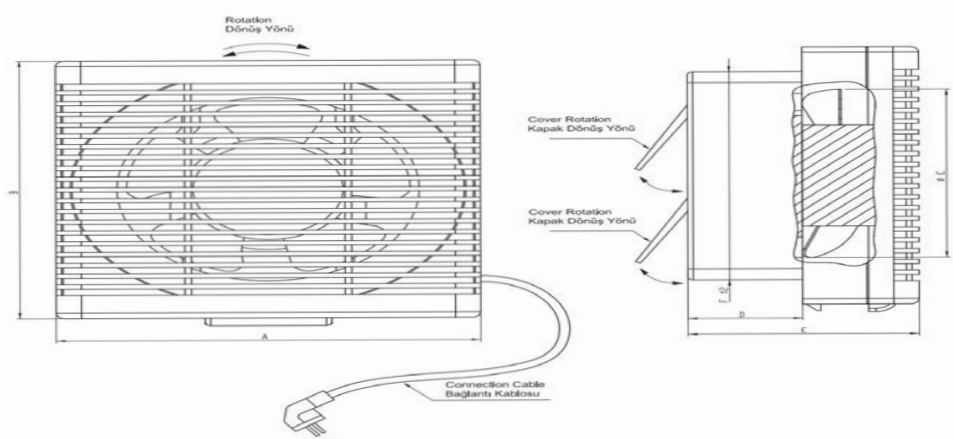


## EBPP

### BATH-WC TYPE FAN WITH OUTER SHUTTER

It has a square frame made of PVC material, is silent and resistant to corrosion, and has the ability to work in two directions.

PRODUCT CODE	MOTOR DETAILS			MAX. AIR FLOW	SOUND LEVEL	WEIGHT
	VOLTAGE	POWER	MOTOR SPEED			
	V	W	RPM			
EBPP-15-M4	220	25	1.300	300	40	1,80
EBPP-20-M4	220	30	1.250	500	41	2,60
EBPP-25-M4	220	35	1.200	735	43	2,80
EBPP-30-M4	220	40	1.100	1.100	44	3,20



Type	Dimensions (mm)					
	A	B	C	D	E	F
EBPP-15-M4	235	235	160	65	130	190
EBPP-20-M4	290	290	200	65	140	240
EBPP-25-M4	340	340	250	70	145	290
EBPP-30-M4	395	395	300	80	155	335



# Axial Fans



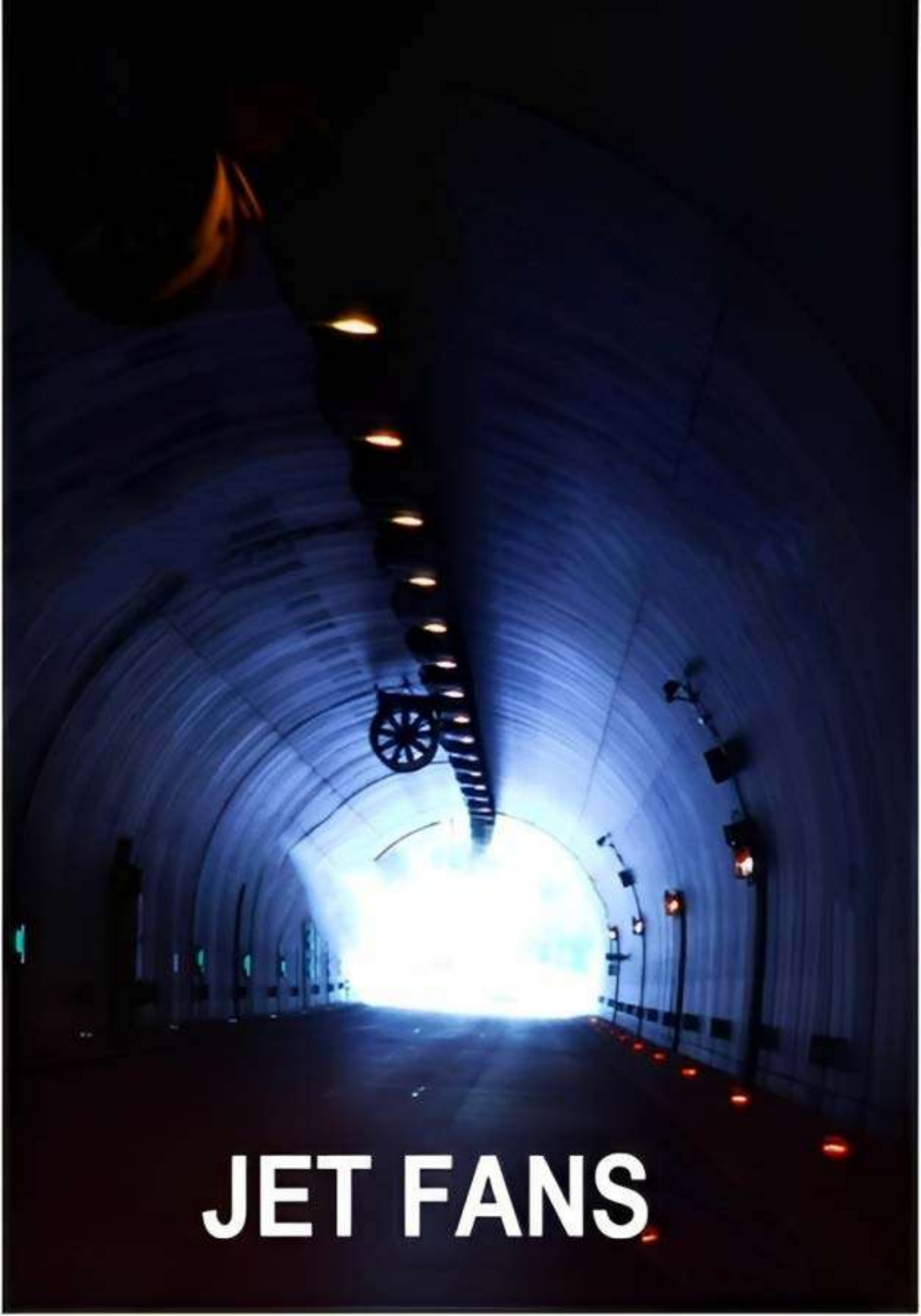
## EASF

### Axial Cooling Fans

Working for both suction and air discharge. EASF desinged for low enegy - high performance. Impeller desinged for low voice level.

PRODUCT CODE	FAN DIA.	ELECTRIC MOTOR			MAX. AIR FLOW	SOUND LEVEL
		VOLTAGE	POWER	MOTOR SPEED		
	MM	V	W	RPM	M <sup>3</sup> /H	DB
EASF-250-M4-S (Suction)	250	230	50	1.400	1.000	44
EASF-300-M4-S (Suction)	300	230	72	1.300	1.700	50
EASF-350-M4-S (Suction)	350	230	115	122	3.100	58
EASF-400-M4-S (Suction)	400	230	160	1.400	4.000	58
EASF-450-M4-S (Suction)	450	230	245	1.400	5.700	63
EASF-500-M4-S (Suction)	500	230	420	1.300	6.900	65
EASF-250-M4-S (Air Blower)	250	230	50	1.400	1.000	44
EASF-300-M4-S (Air Blower)	300	230	72	1.300	1.700	50
EASF-350-M4-S (Air Blower)	350	230	115	1.225	3.100	58
EASF-400-M4-S (Air Blower)	400	230	160	1.400	4.000	58
EASF-450-M4-S (Air Blower)	450	230	245	1.400	5.700	63
EASF-500-M4-S (Air Blower)	500	230	420	1.300	6.900	65
EASF-400-T4-S (Suction)	400	380	140	1.400	4.000	54
EASF-450-T4-S (Suction)	450	380	200	1.400	5.700	54
EASF-500-T4-S (Suction)	500	380	425	1.300	6.900	55
EASF-400-T4-S (Air Blower)	400	380	140	1.400	4.000	58
EASF-450-T4-S (Air Blower)	450	380	200	1.400	5.700	63
EASF-500-T4-S (Air Blower)	500	380	425	1.300	6.900	63





**JET FANS**

# Jet Fans

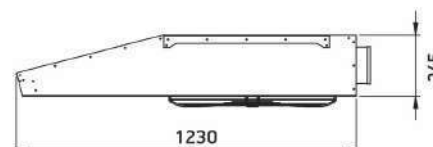
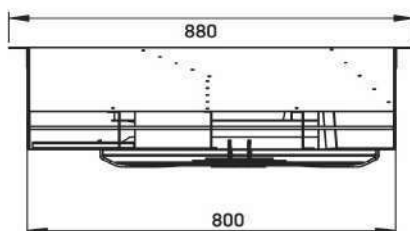
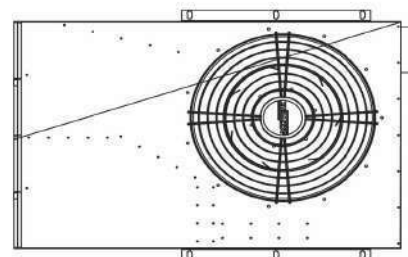
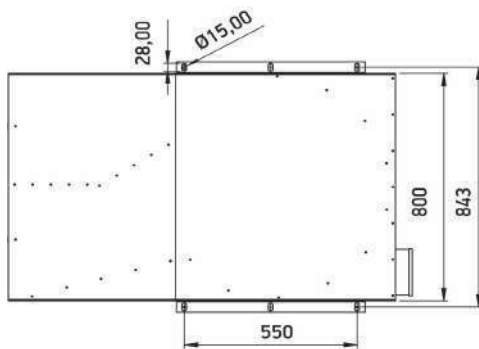
## JFRP

### RADIAL IMPELLER, JET FAN



It is used for the same purpose as radial jet fans. Since these fans have lower heights, they are suitable for car parks with a height of less than 2.4m or with cassette entrances. They can operate continuously for 2 hours at 300 and 400 ° C. F400-120 / F300-120

PRODUCT CODE	FAN DIA.	MOTOR DETAILS			MAX. AIR FLOW	PUSHING POWER	SOUND LEVEL	WEIGHT
		VOLTAGE	POWER	MOTOR SPEED				
		MM	V	KW				
JFRP-500-T2/4-1,20/0,30-F3	500	380	1,20/0,30	1500/750	6750/3375	48/12	65	80,00
JFRP-560-T2/4-2,30/0,37-F3	560	380	2,30/0,37	1500/750	8100/4050	70/17	78	93,00



# Jets Fans

## JKAF

### DIRECT DRIVEN JET FAN WITH DUAL AXIAL IMPELLER



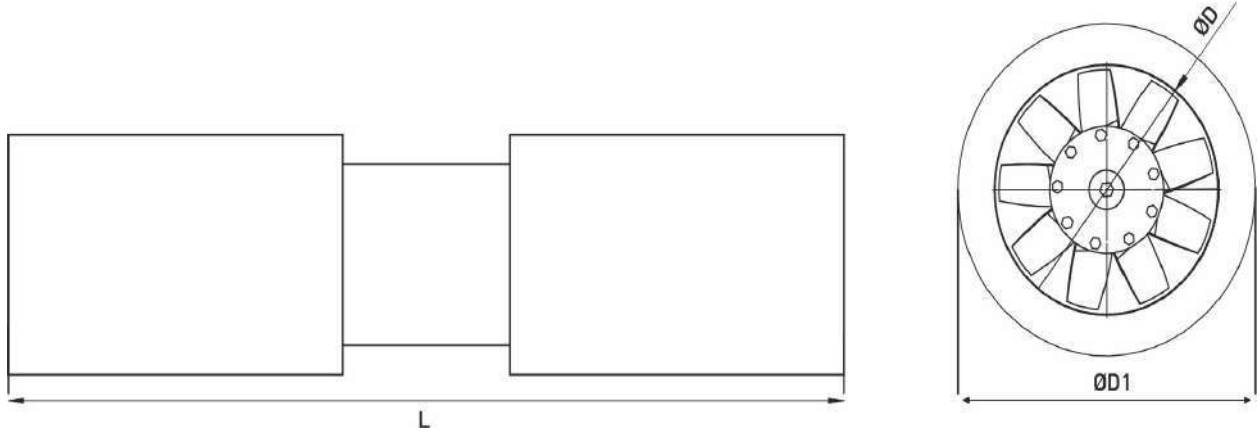
JET FANS are used to transmit unwanted gases in the environment to the exhaust points by providing high air movement without using air ducts in large volume places such as parking garages and tunnels. They can operate continuously for 2 hours at 300 and 400 °C.

\*They can be manufactured bi-directionally or unidirectionally, depending on the need.

PRODUCT CODE	FAN DIA.	MOTOR DETAILS			MAX. AIR FLOW	PUSHING POWER	SOUND LEVEL	WEIGHT
		VOLTAGE	POWER	MOTOR SPEED				
		MM	V	KW				
JKAF-315-T2-1,10-F3	315	380	1,10	2.900	4.500	24	49	93,00
JKAF-355-T2-1,50-F3	355	380	1,50	2.900	6.500	40	60	100,00
JKAF-400-T2-2,20-F3	400	380	2,20	2.900	8.000	53	72	107,00
JKAF-450-T2-2,20-F3	450	380	2,20	2.900	12.000	84	84	115,00
JKAF-500-T2-4,00-F3	500	380	4,00	2.900	18.000	153	87	125,00
JKAF-560-T2-7,50-F3	560	380	7,50	2.900	25.000	235	90	138,00
JKAF-315-T2/4-1,00/0,25-F3	315	380	1,00/0,25	2900/1410	2.200/4.400	6/23	49	93,00
JKAF-355-T2/4-1,30/0,33-F3	355	380	1,30/0,33	2900/1430	3.200/6.400	10/39	60	100,00
JKAF-400-T2/4-2,00/0,50-F3	400	380	2,00/0,50	2900/1430	4.500/9.000	15/60	72	107,00
JKAF-450-T2/4-2,00/0,50-F3	450	380	2,00/0,50	2900/1430	6.000/12.000	21/84	84	115,00
JKAF-500-T2/4-3,60/0,90-F3	500	380	3,60/0,90	2900/1430	9.000/18.000	38/153	87	125,00
JKAF-560-T2/4-6,50/1,70-F3	560	380	6,50/1,70	2900/1430	12.500/25.000	59/235	90	138,00



## Dimensions



Type	Dimensions (mm)		
	D	L	D1
JKAF-315-T2-1,10-F3	315	2.000	.
JKAF-355-T2-1,50-F3	355	2.000	.
JKAF-400-T2-2,20-F3	400	2.000	.
JKAF-450-T2-2,20-F3	450	2.000	.
JKAF-500-T2-4,00-F3	500	2.000	.
JKAF-560-T2-7,50-F3	560	2.000	.



**ROOF TYPE FANS**

# Roof Fans



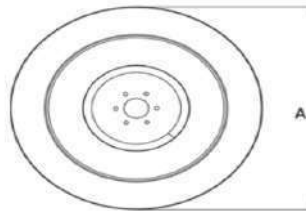
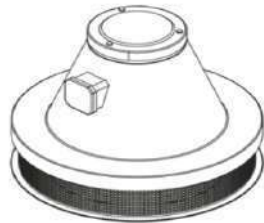
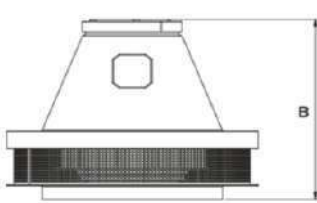
## RCDM

### RADIAL HORIZONTAL ROOF FAN WITH CAP

These fans, which are used in the ventilation of closed environments, can operate without any problems with their high performance, they can operate even at high temperatures since the engine is outside of the air flow.

PRODUCT CODE	MOTOR DETAILS			MAX. AIR FLOW
	VOLTAGE	POWER	MOTOR SPEED	
	V	W	RPM	M <sup>3</sup> /H
RCDM-315-M2	220	370	2.800	1.800
RCDM-315-M4	220	370	1.380	1.415

## Dimensions



Type	Dimensions (mm)	
	A	B
RCDM-315-M2	410	391
RCDM-315-M4	410	391

# Roof Fans

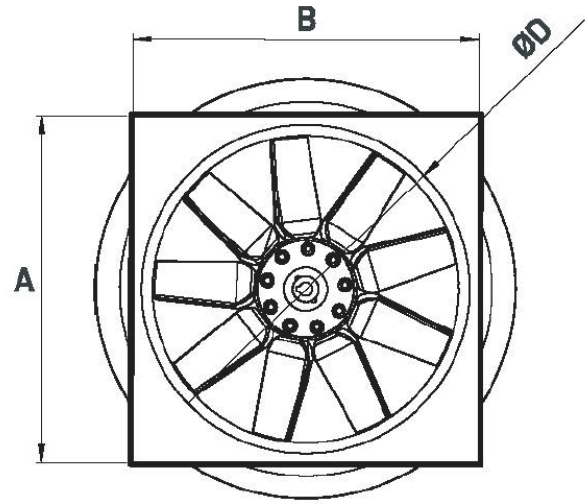
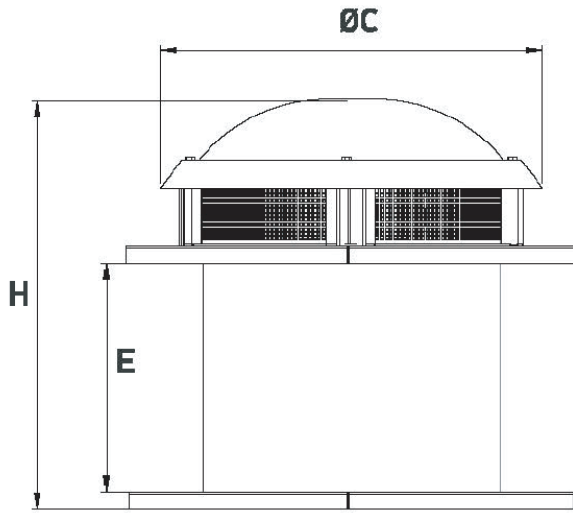


## RAKC

### ROOF TYPE PRESSURIZED SMOKE EXHAUST FAN

It is used in roof type axial pressurization fan, fresh air fan and smoke exhaust fan applications, According to the need, they provide the discharge of toxic gases, which the jet fans gain momentum, to the external environment, Blade angles are adjustable, so they can be requested at different flow rates and pressures, Optionally, they can be manufactured to operate continuously for 2 hours at 200 °C and 300 °C.

PRODUCT CODE	FAN DIA.	MOTOR DETAILS			MAX. AIR FLOW
		VOLTAGE	POWER	MOTOR SPEED	
	MM	V	KW	RPM	M <sup>3</sup> /H
RAKC-400-T2-0,75	380	380	0,75	2.860	3.600
RAKC-450-T2-1,50	420	380	1,50	2.900	6.250
RAKC-500-T4-0,75	480	380	0,75	1.410	10.300
RAKC-560-T4-1,10	540	380	1,10	1.430	13.000
RAKC-630-T4-1,50	600	380	1,50	1.430	18.500
RAKC-710-T4-4,00	690	380	4,00	1.455	31.500
RAKC-800-T4-7,50	780	380	7,50	1.465	42.500
RAKC-900-T4-15,0	880	380	15,00	1.470	61.000
RAKC-1000-T4-15,0	980	380	15,00	1.470	77.000
RAKC-1100-T4-11,0	1080	380	18,50	1.475	83.000
RAKC-1200-T4-30,0	1180	380	30,00	1.475	100.000



## Dimensions

Type	Dimensions (mm)					
	A	B	ØC	ØD	E	H
RAKC-400-T2-0,75	630	630	700	400	470	880
RAKC-450-T2-1,50	710	710	700	450	470	880
RAKC-500-T4-0,75	740	740	840	500	580	1.030
RAKC-560-T4-1,10	800	800	1.150	560	580	1.030
RAKC-630-T4-1,50	850	850	1.150	630	600	1.160
RAKC-710-T4-4,00	850	850	1.150	710	700	1.300
RAKC-800-T4-7,50	920	920	1.150	800	775	1.300
RAKC-900-T4-15,0	1.000	1.000	1.150	900	775	1.375
RAKC-1000-T4-15,0	1.100	1.100	1.450	1.000	850	1.450
RAKC-1100-T4-11,0	1.130	1.130	1.450	1.100	850	1.450
RAKC-1200-T4-30,0	1.430	1.430	1.450	1.200	950	1.550



# Roof Fans

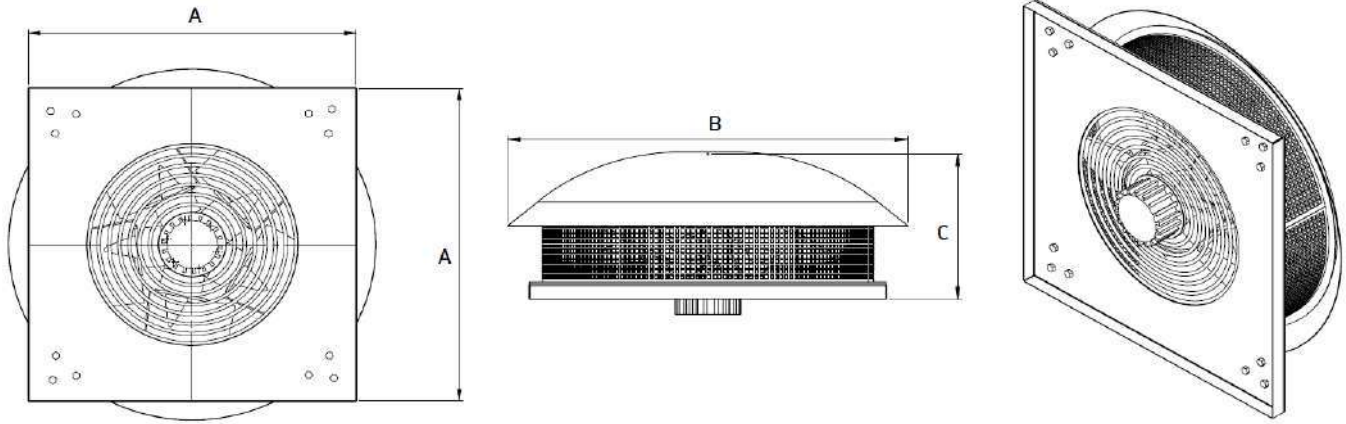


## RCAD

### AXIAL PROPELL, HORIZONTAL THROW, DIRECT COUPLED MOTOR DOME CAP

These fans, which are used in the ventilation of closed environments, can operate without any problems with their high performance. Thanks to their axial propeller, they can be used both for air suction in the environment and for the purpose of supplying fresh air in the environment.

PRODUCT CODE	MOTOR DETAILS			MAX. AIR FLOW
	VOLTAGE	POWER	MOTOR SPEED	
	V	KW	RPM	M <sup>3</sup> /H
RCAD-300-T4	380	0,20	1.430	1.800
RCAD-350-T4	380	0,25	1.360	2.600
RCAD-400-T4	380	0,29	1.400	4.500
RCAD-450-T4	380	0,33	1.375	6.500
RCAD-500-T4	380	0,43	1.350	8.500
RCAD-560-T4-0,75	380	0,75	1.450	10.400
RCAD-630-T4-1,10	380	1,10	1.450	14.000
RCAD-710-T4-1,50	380	1,50	1.450	18.000
RCAD-800-T4-2,20	380	2,20	1.450	26.000
RCAD-900-T4-3,00	380	3,00	1.450	32.000
RCAD-1000-T4-5,50	380	5,50	1.400	42.000



## Dimensions

Type	Dimensions (mm)		
	A	B	C
RCAD-300-T4	560	685	340
RCAD-350-T4	560	685	340
RCAD-400-T4	630	824	470
RCAD-450-T4	710	824	480
RCAD-500-T4	740	824	480
RCAD-560-T4-0,75	800	1.150	710
RCAD-630-T4-1,10	850	1.150	710
RCAD-710-T4-1,50	850	1.150	800
RCAD-800-T4-2,20	1.000	1.450	900
RCAD-900-T4-3,00	1.000	1.450	900
RCAD-1000-T4-5,50	1.100	1.450	950

# Roof Fans

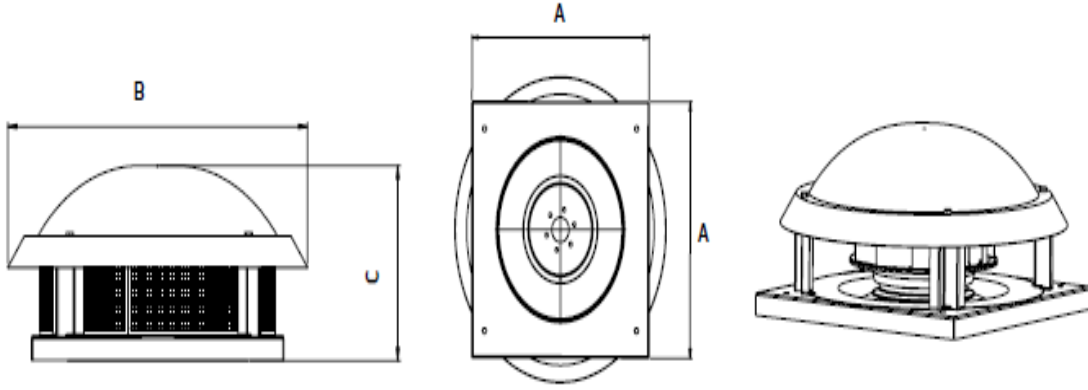
## RCRD

### HORIZONTAL FLOW RADIAL ROOF FAN



It is designed to increase the air quality of indoor spaces, it has a low noise level with its external rotor motor, it works smoothly where high performance is required.

PRODUCT CODE	MOTOR DETAILS			MAX. AIR FLOW
	VOLTAGE	POWER	MOTOR SPEED	
	V	W	RPM	M <sup>3</sup> /H
RCRD-250-M2	220	170	2.635	1.300
RCRD-315-M2	220	210	2.660	1.800
RCRD-355-M4	220	260	1.350	2.750
RCRD-400-M4	220	430	1.380	3.620
RCRD-450-M4	220	600	1.340	5.900
RCRD-500-M4	220	750	1.400	8.000
RCRD-560-T4	380	1100	1.400	10.000



## Dimensions

Type	Dimensions (mm)		
	A	B	C
RCRD-250-M2	370	386	225
RCRD-315-M2	454	443	293
RCRD-355-M4	595	595	285
RCRD-400-M4	595	685	355
RCRD-450-M4	664	685	400
RCRD-500-M4	798	824	385
RCRD-560-T4	798	824	400

# Roof Fans

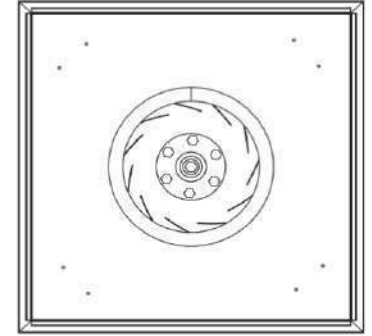
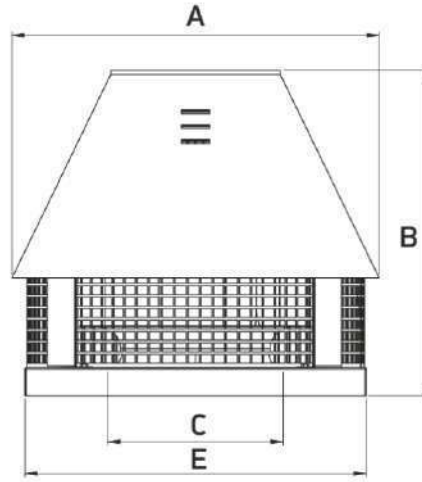
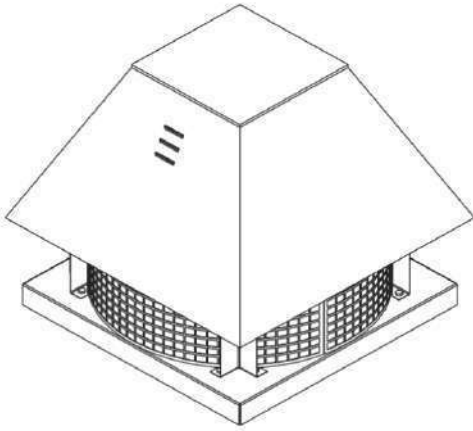


## RCDA

### RADIAL HORIZONTAL FLASH ROOF FAN WITH PRISMATIC CAP

These fans, which are used in the ventilation of closed environments, can operate without problems with their high performance, they can operate even at high temperatures since the engine is outside of the air flow.

PRODUCT CODE	MOTOR DETAILS			MAX. AIR FLOW
	VOLTAGE	POWER	MOTOR SPEED	
	V	KW	RPM	M <sup>3</sup> /H
RCDA-280-T4-0,37	380	0,37	1.380	1.000
RCDA-315-T4-0,37	380	0,37	1.380	1.415
RCDA-355-T4-0,37	380	0,37	1.380	2.200
RCDA-400-T4-0,55	380	0,55	1.400	3.600
RCDA-450-T4-1,10	380	1,10	1.410	4.400
RCDA-500-T4-1,10	380	1,10	1.430	8.500
RCDA-560-T4-1,50	380	1,50	1.435	10.000
RCDA-630-T4-3,00	380	3,00	1.455	11.200
RCDA-710-T4-4,00	380	4,00	1.465	12.800
RCDA-710-T4-5,50	380	5,50	1.465	16.000



## Dimensions

Type	Dimensions (mm)			
	A	B	C	E
RCDA-280-T4-0,37	524	505	165	404
RCDA-315-T4-0,37	593	546	185	454
RCDA-355-T4-0,37	655	546	234	500
RCDA-400-T4-0,55	655	574	270	500
RCDA-450-T4-1,10	730	568	282	580
RCDA-500-T4-1,10	800	665	320	640
RCDA-560-T4-1,50	856	723	360	700
RCDA-630-T4-3,00	986	888	448	730
RCDA-710-T4-4,00	1.080	958	450	780
RCDA-710-T4-5,50	1.080	958	450	780

# Roof Fans

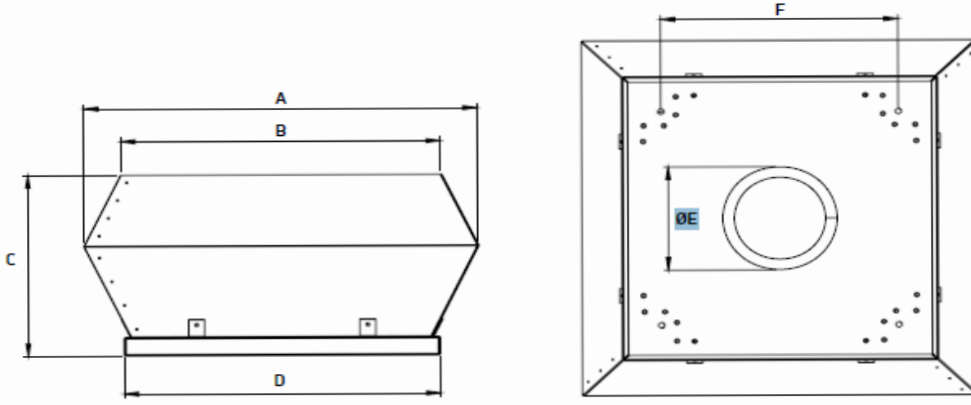


## RCDF

### VERTICAL OUTLET ROOF FANS

RCDF roof fans are particularly advantageous. Vertical applications result from the fact that air cannot be sucked in horizontally. They operate silently thanks to their aerodynamic wing structure. Speed can be adjusted with speed control devices. Since rainwater is easily discharged, water ingress is prevented from entering the chimney.

PRODUCT CODE	MOTOR DETAILS			MAX. AIR FLOW
	VOLTAGE	POWER	MOTOR SPEED	
	V	W	RPM	M <sup>3</sup> /H
RCDF-225-M2	220	130	2.640	850
RCDF-315-M4	220	180	1.430	1.550
RCDF-355-M4	220	220	1.400	2.400
RCDF-400-M4	220	360	1.420	3.500
RCDF-450-M4	220	620	1.410	5.000
RCDF-500-M4	380	950	1.400	7.550
RCDF-560-T4	380	1550	1.380	9.600



## Dimensions

Type	Dimensions (mm)					
	A	B	C	D	E	F
RCDF-225-M2	350	295	190	335	146	245
RCDF-315-M4	552	450	330	505	185	450
RCDF-355-M4	745	607	385	595	234	450
RCDF-400-M4	745	607	385	595	270	450
RCDF-450-M4	900	742	512	665	282	630
RCDF-500-M4	900	742	512	665	320	630
RCDF-560-T4	1.190	955	595	946	360	740



# Roof Fans

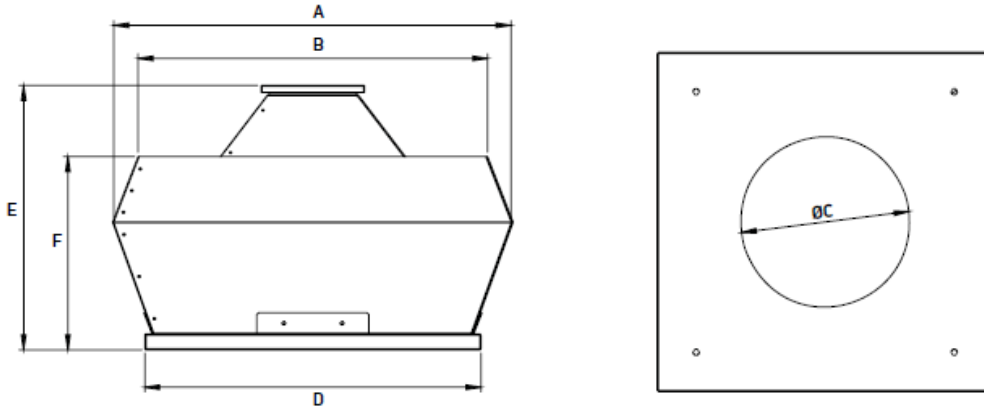


## RCDV

### VERTICAL OUTLET ROOF FANS

RCDV series vertical centrifugal models roof fans are made of galvanized sheet metal. Asynchronous motor is used in all models. There is no air flow in the motor. This device has a maximum air carrying capacity.

PRODUCT CODE	MOTOR DETAILS			MAX. AIR FLOW
	VOLTAGE	POWER	MOTOR SPEED	
	V	KW	RPM	M <sup>3</sup> /H
RCDV-315-T4-0,25	380	0,25	1.420	1.700
RCDV-355-T4-0,37	380	0,37	1.410	2.500
RCDV-400-T4-0,37	380	0,37	1.400	3.600
RCDV-450-T4-0,75	380	0,75	1.370	5.000
RCDV-500-T4-1,50	380	1,50	1.350	8.000
RCDV-560-T4-2,20	380	2,20	1.450	10.500



## Dimensions

Type	Dimensions (mm)					
	A	B	C	D	E	F
RCDV-315-T4-0,25	845	740	185	700	550	395
RCDV-355-T4-0,37	845	740	235	700	550	395
RCDV-400-T4-0,37	895	780	270	750	585	430
RCDV-450-T4-0,75	960	855	282	800	595	440
RCDV-500-T4-1,50	1.030	915	320	850	695	490
RCDV-560-T4-2,20	1.195	960	360	950	820	610



# ACCESSORIES

# Accessories



## KTEF

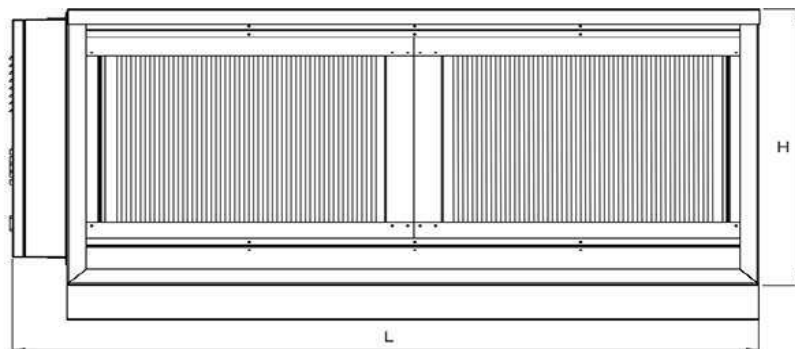
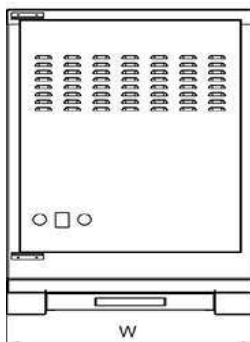
### Electrostatic Filter

ACT-EF Duct Type Fixed Electrostatic filters use the electrostatic acceleration principle to eliminate particles such as odor, soot, smoke, oil, dust in the air, and purify the dirty, foul-smelling and oily air emitted by the enterprises.

#### Usage areas;

- \* Restaurants
- \* Cafes
- \* Hotels
- \* Buffets
- \* Food Factories
- \* Industrial Kitchens
- \* Outdoor Barbecues

PRODUCT SPEED	MOTOR DETAILS		AIR FLOW M <sup>3</sup> /H	STATIC FILTER	METAL FILTER	DIMENSIONS ( MM )				
	VOLTAGE	POWER				L	W	W1	H	H1
	V	W								
KTEF-2	180/250	200	2.500	Alüminyum / 1 ad.	G2 / 2 Ad.	535	710	470	820	650
KTEF-4	180/250	200	4.000	Alüminyum / 1 ad.	G2 / 2 Ad.	535	890	650	820	650
KTEF-5	180/250	200	5.000	Alüminyum / 2 ad.	G2 / 2 Ad.	535	1260	1020	820	650
KTEF-8	180/250	300	8.000	Alüminyum / 2 ad.	G2 / 2 Ad.	535	1630	1390	820	650
KTEF-10	180/250	300	10.000	Alüminyum / 3 ad.	G2 / 2 Ad.	535	2170	1930	820	650
KTEF-16	180/250x2	300x2	16.000	Alüminyum / 4 ad.	G2 / 4 Ad.	535	1630	1390	1640	1470
KTEF-20	180/250x2	300x2	20.000	Alüminyum / 6 ad.	G2 / 4 Ad.	535	2170	1930	1640	1470



## Accessories



### FHAN Speed Controller

PRODUCT CODE	VOLTAGE	MAX. AMPER
	V	A
FHAN	220	5,00



### FMTY Frequency Inverter

PRODUCT CODE	ELECTRIC POWER	VOLTAGE	OUTLET VOLT.
	KW	V	V
FMTY-M-0,75	0,75	220	3x220
FMTY-M-1,50	1,50	220	3x220
FMTY-M-2,20	2,20	220	3x220



### FTTY Frequency Inverter

PRODUCT CODE	POWER	VOLTAGE	OUTLET VOLT.
	KW	V	V
FTTY-T-0,75	0,75	380	3x380
FTTY-T-1,50	1,50	380	3x380
FTTY-T-2,20	2,20	380	3x380
FTTY-T-3,00	3,00	380	3x380
FTTY-T-4,00	4,00	380	3x380
FTTY-T-5,50	5,50	380	3x380
FTTY-T-7,50	7,50	380	3x380
FTTY-T-11,0	11,00	380	3x380
FTTY-T-15,0	15,00	380	3x380
FTTY-T-18,5	18,50	380	3x380
FTTY-T-22,0	22,00	380	3x380



# AIR HANDLING UNITS

## AIR HANDLING UNITS

### AIR HANDLING UNITS

Air Handling Units are produced in the flow rate range of 1.000 - 65.000 m<sup>3</sup>/h and in different models and offer a wide range of choices to the user.



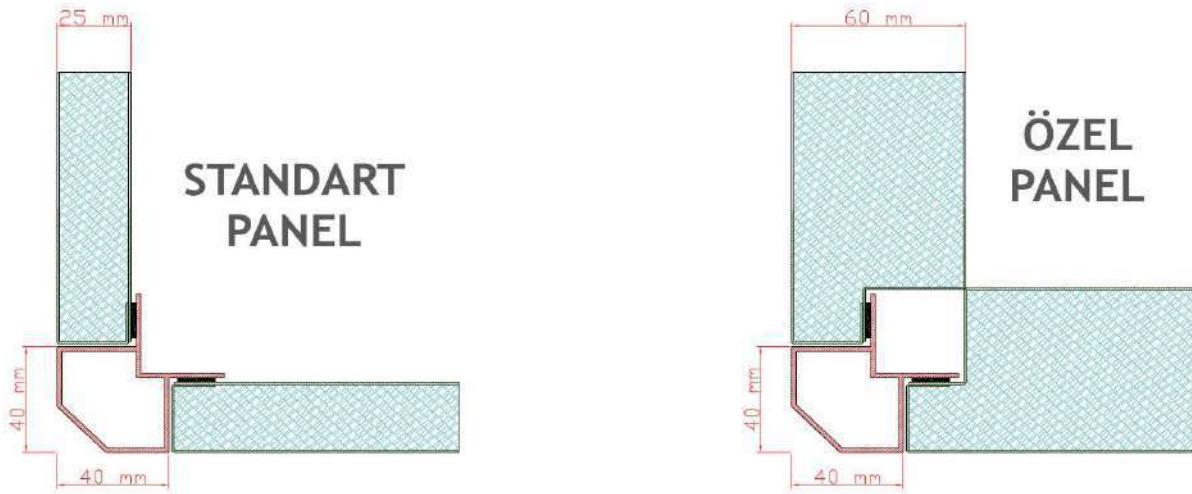
### CELL STRUCTURE

The Cell Structure of Air Handling Units consists of a modular system. Modules are bolted to each other from inside the cell and Neoprene based sealing gaskets are used on the joint surfaces. Cells consist of aluminum profile carcass and sandwich panels. Since there is no welded assembly in the manufacture of the cells, delivery can be made completely disassembled upon request. Service doors are hinged on one side and have special door handles on the other side and provide complete sealing. Each ventilator or aspirator cell has a special observation window on the service door and a lighting fixture inside the cell. The lighting lamp control button is mounted on the outer surface of the cell. The labels fixed on the cells are created in a way to contribute to general information about the modular cells that make up the Air Handling Unit and about the device. These labels allow you to be informed without any intervention to the Air Handling Unit.

# AIR HANDLING UNITS

## CARCASS

The carcass consists of aluminum profile. At the corners, there are PVC die-cast corner pieces in special form. Neoprene based sealing gaskets are used in the assembly of the panels to the carcass. The carcass form is such as to contain the gasket seating surfaces.



## PANELS

Panels are sandwich panels. The outer sheet thickness is adjusted according to the device size and the inner sheet thickness is standard 0.80 mm. The outer and inner sheet is galvanized and the outer sheet can be painted upon request. A hat is made on the devices that will work in the outdoor environment so that it protrudes 5 cm on each side from the device dimensions. Rock Wool Air Conditioner Board with standard 70 kg/m<sup>3</sup> density is used as insulation. Polyurethane Board or Glass Wool Board can also be used upon request.

## ELECTRIC MOTORS

IP 54 protection class, 380 V, 50 Hz. Volt, Gamak, Watt or equivalent brand is used as electric motor.

## DRIVE MECHANISM

The drive system is belt pulley. Belts are 'Narrow V Belts'. Pulleys are clamping bushes in accordance with European standards (DIN 2211.TS 148).



# AIR HANDLING UNITS

## FANS

The fans used in Air Handling Units are SCRD model with backward curved sparse blades, galvanized sheet metal body, self-lubricating type bearings. Upon request, SCAT or SCAD model fans with forward curved dense blades are also used. Characteristics for fan selection. The selection is made to allow a maximum 35% increase in fan shaft power (which allows a 10% increase in flow rate) in the operating curve. The connection between the fan discharge port and the cell port is made with a flexible bellows (Connector) to prevent vibration transmission. The installation of the fan in the cell is made with anti-vibration rubber wedge.



## ESANCHORS

Heating and cooling exchangers used in Air Handling Units are copper tube and aluminum finned. Copper pipes used in the heat exchanger are 1/2" or 5/8" diameter and minimum 0.35 mm wall thickness. In serpentine selection, the maximum forehead speed is 3.25 m/sec for maximum coolers and 3.50 m/sec for maximum heaters. Even if the cooler heat exchangers have a low face velocity, a drip trap is used in front of it.



## AIR HANDLING UNITS

### DRIP HOLDER

The cassettes with wings made of specially shaped aluminum or polypropylene profiles or aluminum sheet metal, with wing fasteners made of aluminum, are designed on galvanized or stainless steel slides that can easily enter and exit the cell.

### CONDENSATION PAN

Condensation pans designed to come under the cooler heat exchanger and drip trap are minimum 1.5 mm thick AISI 304 quality

It is manufactured as welded from stainless steel sheet. The siphon detail that must be made by the customer to the pan outlet is the power plant.

is shown schematically above.



### FILTERS

The cassette filters used in Air Handling Units are G2 Filtration quality mineral; G3 and G4 Filtration quality synthetic fiber. Depending on customer request, bag filters in F5, F7 and F9 Filtration quality and hepa filters in H14 Filtration quality can also be used.

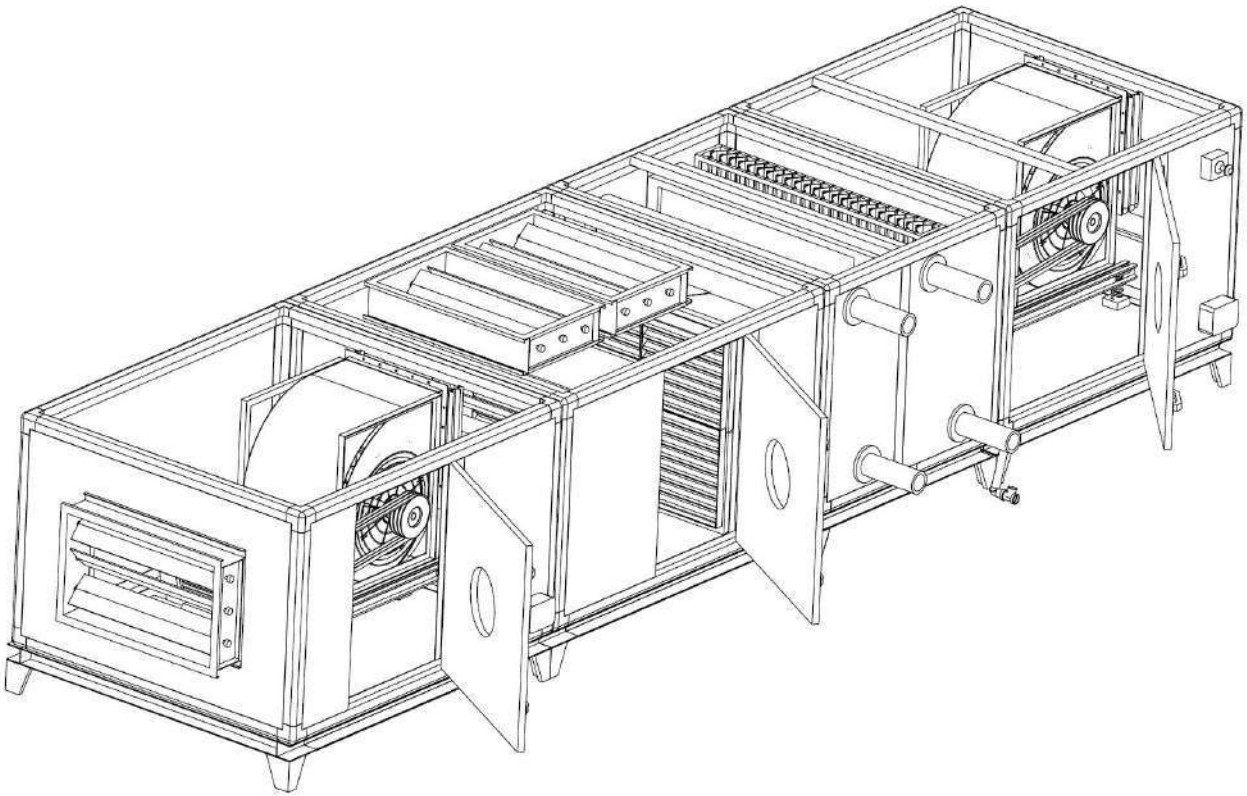
### AIR CURTAINS

Damper blades are made of aluminum profile drawn in aerodynamic form and the frames are also made of aluminum profile. The wings are opposite to each other, easy to move and form a sealed structure when closed. The drive system is gear wheel. Polyamide bushings are used for mounting the blades to the frame. As standard, all our devices have an air damper at the suction port and a connection flange at the outlet port.

# KLİMA SANTRALLERİ

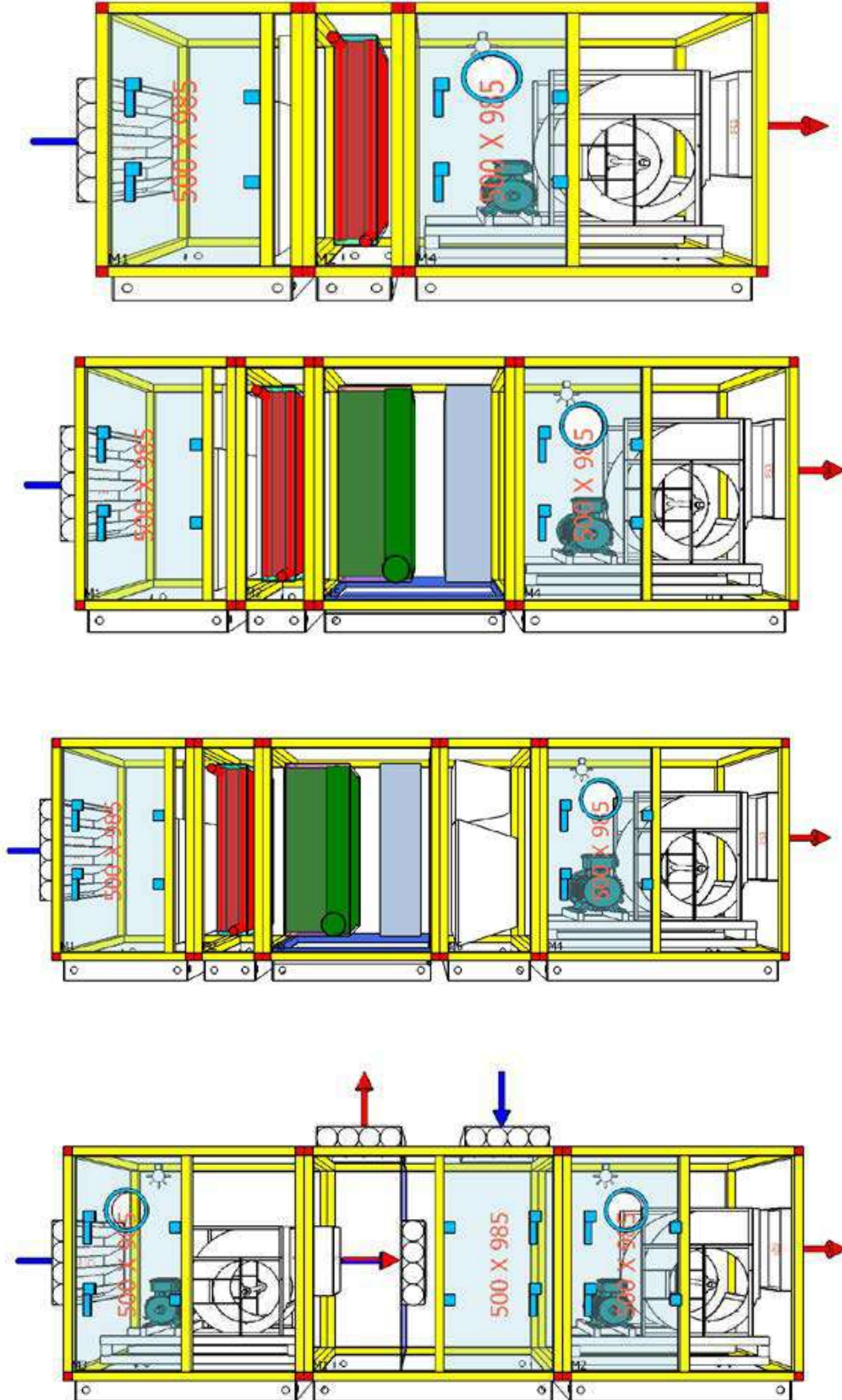
## BODY

Small sized units have furnace painted DKP sheet base and large sized units have furnace painted hot rolled NPU profile base.



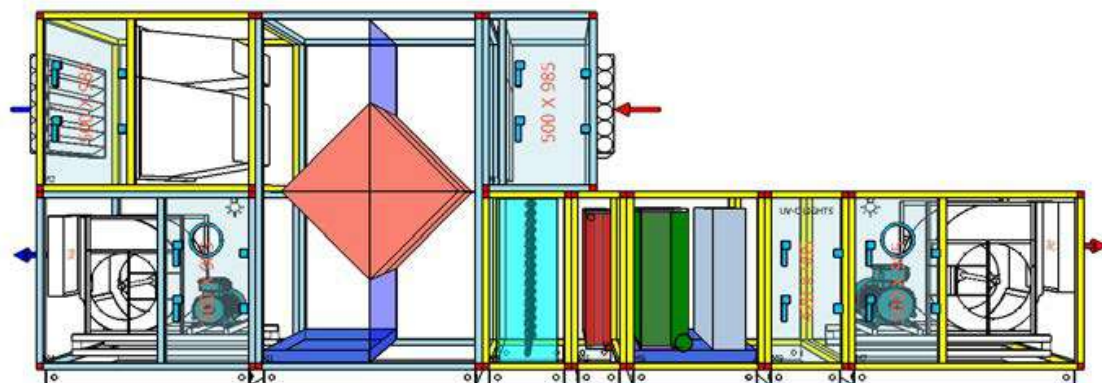
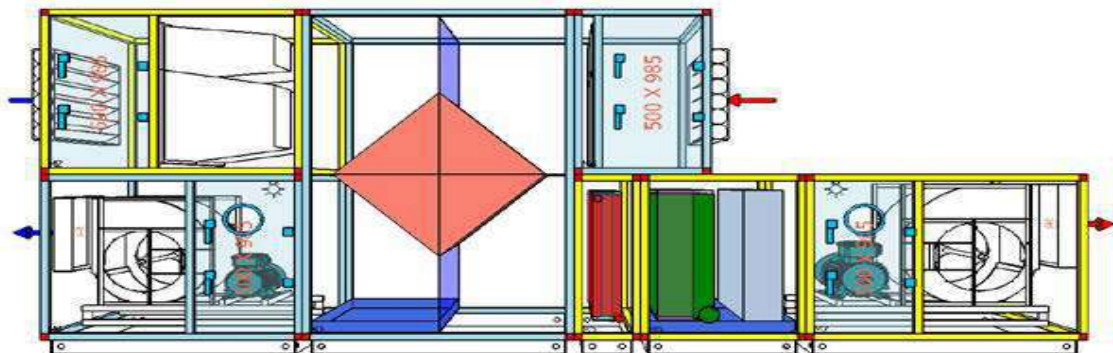
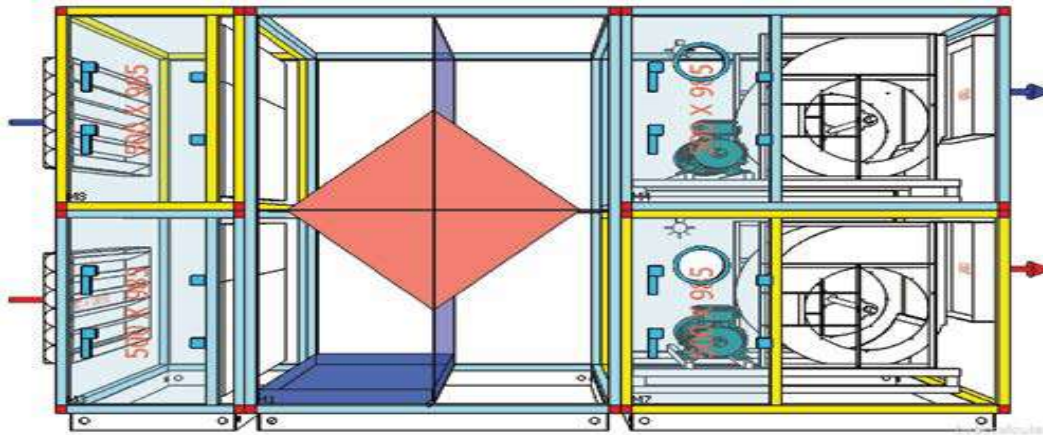
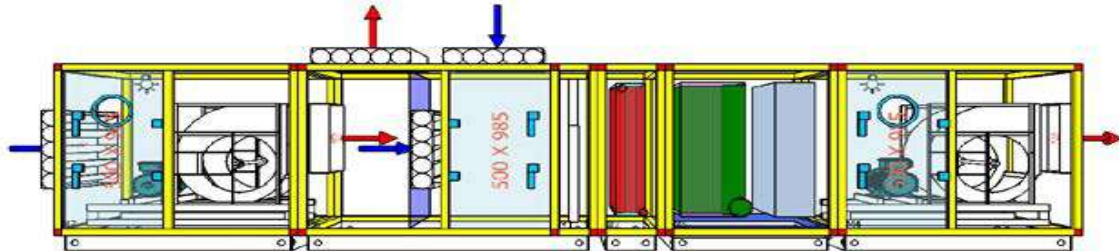
# AIR HANDLING UNITS

## Air Handling Unit Configuration Examples



# AIR HANDLING UNITS

## Air Handling Unit Configuration Examples














# ERF GRUP

Makina İmalat İhracat İthalat Ltd. Şti.

*Since 2006*


*WE  
MANUFACTURE  
FOR YOU*

 [sales@erfgroup.com](mailto:sales@erfgroup.com)

 İkitelli O.S.B. Marmara Sit.  
N Blok No:17  
İkitelli İSTANBUL / TÜRKİYE

 +90 212 494 46 17

+ 90 (212) 496 46 17-18-19

 +90 552 256 91 44

    [erfgroup](https://www.erfgroup.com)

 [www.erfgroup.com](http://www.erfgroup.com)